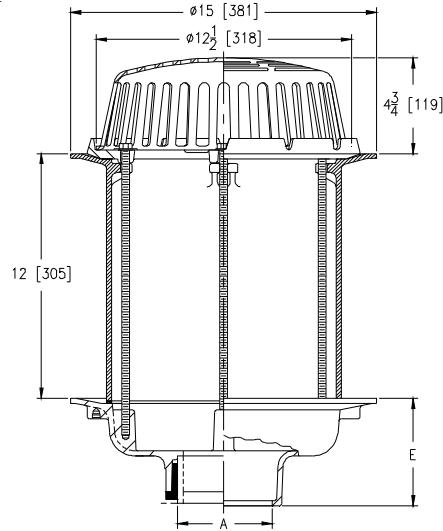




Z100-282

Ø15 [381] MAIN ROOF DRAIN W/ 12 [305] STATIC EXTENSION

Dimensional Data (inches and [mm]) are Subject to Manufacturing Tolerances and Change Without Notice



A Pipe Size In.	Approx. Wt. Lbs. [kg]	Dome Open Area Sq. In. [cm ²]
2,3,4 [51,76,102]	46 [21]	103 [665]
5,6 [127,152]	47 [21]	
8 [203]	46 [21]	

ENGINEERING SPECIFICATION: ZURN Z100-282

15 [381] Diameter roof drain. Dura-Coated cast iron body with combination membrane flashing clamp/gravel guard, 12 [305] static extension, and low silhouette Poly-Dome.

OPTIONS (Check/specify appropriate options)

PIPE SIZE

- 2-3-4-5-6-8 [51-76-102-127-152,203]
- 2-3-4-5-6-8 [51-76-102-127-152,203]
- 2-3-4-5-6-8 [51-76-102-127-152,203]
- 2-3-4 [51-76-102]

(Specify size/type) OUTLET

- ___ IC Inside Caulk
- ___ IP Threaded
- ___ NH No-Hub
- ___ NL Neo-Loc

E BODY HT. DIM.

- 5-1/4 [133]
- 3-3/4 [95]
- 5-1/4 [133]
- 4-5/8 [117]

PREFIXES

- ___ Z D.C.C.I. Body with Poly-Dome*
- ___ ZA D.C.C.I. Body with 6-3/4 [171] High Aluminum Dome
- ___ ZC D.C.C.I. Body with Cast Iron Dome
- ___ ZRB D.C.C.I. Body with Plain Bronze Dome

SUFFIXES

- | | |
|---|--|
| ___ -AC Angular Underdeck Clamp | ___ -HD 6-3/4 [171] High Aluminum Dome Strainer (148 Sq. In. [955 cm ²] Open Area) (ZA Only) |
| ___ -AR Acid Resistant Epoxy Coated | ___ -R Roof Sump Receiver |
| ___ -AW 3/4 [19] to 4 [102] Adj. Water Level Regulator (Specify Height) (ZC Only) | ___ -SC Secondary Clamp Collar |
| ___ -BS Bronze Mesh Screen Over Dome | ___ -SS Stainless Steel Mesh Screen Over Dome |
| ___ -C Underdeck Clamp | ___ -ST Dome with Solid Top (ZA, ZC & ZRB Only) |
| ___ -DP Top-Set® Deck Plate (Replaces both the -C and -R) | ___ -TC Neo-Loc Test Cap Gasket (2 - 4 [51 - 102] NL Bottom Outlet Only) |
| ___ -DE Deck Extension | ___ -VP Vandal-Proof Secured Top |
| ___ -DR Top-Set® Drain Riser | ___ -W2 2 [51] Internal Water Dam |
| ___ -DX Dex-o-tex Flange | ___ -W3 3 [76] Internal Water Dam |
| ___ -EA Adjustable Extension Assembly 1-3/4 [44] thru 3-1/2 [89] | ___ -W4 4 [102] Internal Water Dam |
| ___ -EB Top-Set® Adjustable Extension Assembly | ___ -XJ Vertical Expansion Joint (See Z190) |
| ___ -FG Flush Grate (Replaces Dome Strainer) | ___ -84 Stainless Steel Perforated Gravel Guard |
| ___ -G Galvanized Cast Iron | ___ -85 Stainless Steel Perforated Extension |
| ___ -GD Galvanized Cast Iron Dome (ZC Only) | ___ -89 2 [51] High External Water Dam |
| | ___ -90 90° Threaded Side Outlet Body (2 thru 6 [51 or 152]) |

* Regularly furnished unless otherwise specified.