



Z1731-85

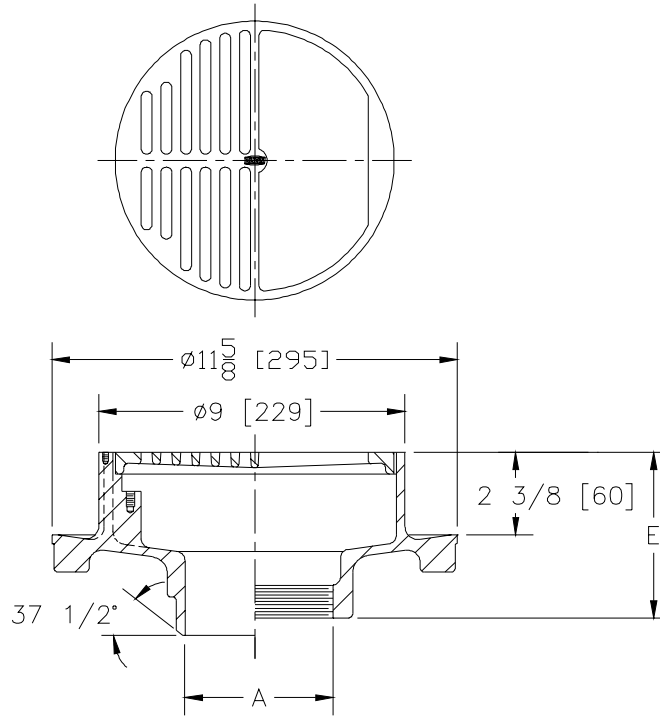
FLOOR DRAIN

MEDIUM DEPTH

SPECIFICATION SHEET

TAG _____

Dimensional Data (inches and [mm]) are Subject to Manufacturing Tolerances and Change Without Notice



A- Pipe Size In.	Approx. Wt. Lbs. [kg]	Grate Open Area Sq. In. [cm ²]
2-3-4 [50-75-100]	22 [10]	30 [194]

ENGINEERING SPECIFICATION: ZURN Z1731-85 9 [229] All Type 304 (CF8) stainless steel heavy duty floor drain with integral anchor flange, and loose set half grate with plain finish.

OPTIONS (Check/specify appropriate options)

PIPE SIZE

2, 3, 4 [50, 75, 100]

(Specify size/type) **OUTLET**

- ___ BW Butt-weld
(Specify Schedule 10, 40 or 80)
- ___ NH No-Hub
- ___ IC Inside Caulk
- ___ IP Threaded

'E' BODY HT. DIM.

- 5 11/16 [144]
- 5 11/16 [144]
- 5 11/16 [144]
- 5 11/16 [144]

PREFIXES

- ___ Z Type 304 (CF8) Stainless Steel Body*
- ___ ZC Type A-27 Carbon Steel Body (P.O.A.)
- ___ ZM Type 316 (CF8M) Stainless Steel Body

SUFFIXES

- ___ -K Seepage Pan and/or Seepage Holes Only
- ___ -KC Clamp Collar With Seepage Holes and/or Seepage Pan With Clamp Collar
- ___ -SC Solid Secured Cover
- ___ -SF Satin Finish Top
- ___ -VP Vandal Proof Secured Top
- ___ -Y Sediment Bucket
- ___ -30 Bronze Closure Plug
- ___ -31 Plastic Closure Plug
- ___ -33 Type 304 Stainless Steel Closure Plug
- ___ -34 Bronze Closure Plug with 3/4 [19] Test Plug
- ___ -90 90° Butt-weld Side Outlet (3, 4 only [76, 102]) (Previously Z-540-1-76)

*REGULARLY FURNISHED UNLESS OTHERWISE SPECIFIED

REV.	DATE: 6/24/03	C.N. NO. 91076
DWG. NO. P-14992 PRODUCT NO. Z1731-85		