



Z1202-N4-95

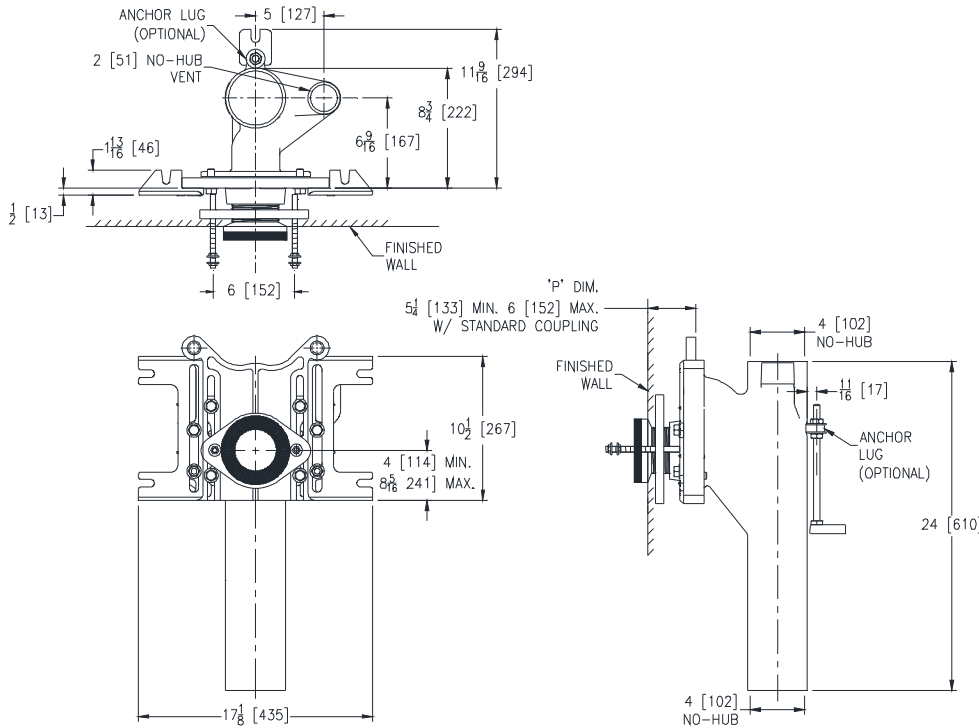
EZCARRY™ ADJUSTABLE VERTICAL HIGH PERFORMANCE SIPHON
JET NO-HUB WATER CLOSET CARRIER SYSTEM FOR LOW ROUGH-
IN/W/FLOOR MOUNTED, BACK OUTLET FIXTURE SUPPORT

SPECIFICATION SHEET

TAG _____

Dimensional Data (inches and [mm]) are Subject to Manufacturing Tolerances and Change Without Notice

Product Number	Approx. Wt. lbs [kg]
Z1202-N4-95	63 [29]



Note:

1. Z Coupling Min. 'P' Dim. Obtainable=2 [51]
ZQ Coupling Min. 'P' Dim. Obtainable=2 [127]
2. Feet bolted to floor using min. 1/2 [13] dia. anchors.
3. 2 [51] No-Hub vent connection regularly furnished on right hand side. Left hand available when specified (Suffix -VL)
4. Auxiliary inlet available right (-JR) or left (-JL) or both sides (-JJ) when specified.

ENGINEERING SPECIFICATION: ZURN Z1202-N4-95

EZCarry™ vertical siphon jet water closet carrier system with high performance waterway and 4" [102mm] no-hub connections. System includes Dura-Coated cast iron main fitting with hydro-mechanically optimized sweep and extended 2" [51mm] vent, adjustable gasketed modified faceplate, universal floor mounted pre-fab slotted foot supports, heavy-duty 1/2" [13mm] rear anchor tie down, fixture bolts, trim, stud protectors, bonded "Neo-Seal" gasket, and corrosion resistant, adjustable 3" [76mm] dia. X 6" [152mm] coupling with integral test cap designed to increase flow velocity and line carry. Complete with Floor Mounted, Back Outlet Fixture Support.

OPTIONS (Check/specify appropriate options)

Z1202-N4-95 4 [102] No-Hub Stack, Single Inlet, 2 [51] Right Hand Vent

PREFIXES

- ___ Z D.C.C.I. System with Zurn ZZ Adjustable Coupling*
- ___ ZQ D.C.C.I. System with NPT Faceplate, Non-Adjustable Coupling

SUFFIXES

- | | |
|--|---|
| <ul style="list-style-type: none"> ___ -A Auxiliary Support Assembly (For 'P' Dim. Greater than 18 [457]) ___ -CC Corrosion Resistant Cast Iron Coupling (2-1/4 [57] to 12 [305]) ___ -CE EZ-Set™ Coupling (Available 6 [152], 12 [305] or longer when specified. Minimum length=5 [127]) ___ -CL Custom Length Standard Coupling with Integral Test Cap (Specify Length 4, 8, 10, 12 [102, 203, 254, 305]) ___ -CS 2-1/4 [57] Polymer Coupling with Integral Test Cap ___ -G Galvanized Cast Iron | <ul style="list-style-type: none"> ___ -JJ Two 2 [51] Auxiliary Inlets ___ -JL 2 [51] Left-Hand Auxiliary Inlet ___ -JR 2 [51] Right-Hand Auxiliary Inlet ___ -M Auxiliary Foot Support (for 'P' Dim. 10 thru 18 [254 thru 457]) ___ -RYK Unistrut Pre-Fab Foot Support ___ -RYK17 One Piece Unistrut Pre-Fab Foot ___ -VL Left Hand Vent Connection ___ -VP Vandal-Proof Trim ___ -45 Finishing Frame for Siphon Jet System ___ -50 Flush Valve Supply Support for Water Closets |
|--|---|

* Regularly furnished unless otherwise specified.

Zurn Industries, LLC | Specification Drainage Operation
1801 Pittsburgh Avenue, Erie, PA U.S.A. 16502 · Ph. 855-663-9876, Fax 814-454-7929
In Canada | Zurn Industries Limited
3544 Nashua Drive, Mississauga, Ontario L4V 1L2 · Ph. 905-405-8272, Fax 905-405-1292
www.zurn.com

Rev. B
Date: 12/22/16
C.N. No. 135867
Prod. | Dwg. No. Z1202-N4-95