



Z100-305

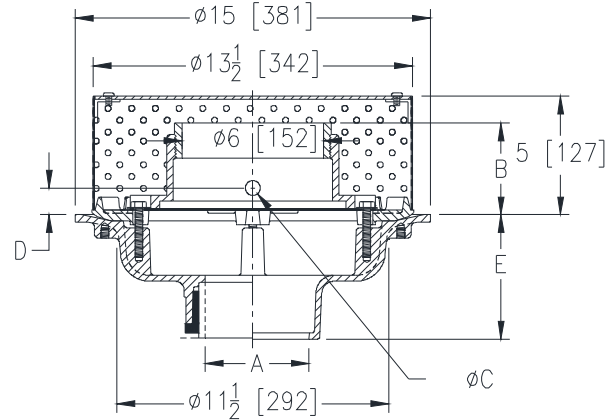
15 [381] DIAMETER MAIN ROOF DRAIN W/ FLOW CONTROLLING WATER DAM AND STAINLESS STEEL PERFORATED GRAVEL GUARD

SPECIFICATION SHEET

TAG _____

Dimensional Data (inches and [mm]) are Subject to Manufacturing Tolerances and Change Without Notice

	GPM [LPM]	Dimension in Inches [mm]			# HOLES
		B	C	D	
RD-1	5.0 [18.9]	3.77 [95.76]	.910 [23.11]	1.268 [32.21]	1
RD-2	5.0 [18.9]	3.86 [98.04]	.902 [22.91]	1.263 [32.08]	1
RD-3	5.0 [18.9]	3.56 [90.42]	.926 [23.52]	1.275 [32.39]	1
RD-4	5.0 [18.9]	4.00 [101.60]	.893 [22.68]	1.259 [32.00]	1
RD-5	5.0 [18.9]	3.51 [89.15]	.930 [23.62]	1.278 [32.46]	1
RD-6	5.0 [18.9]	3.55 [90.17]	.927 [23.55]	1.276 [32.41]	1
RD-7	8.9 [33.7]	4.00 [101.60]	1.190 [30.23]	1.401 [35.59]	1
RD-8	8.9 [33.7]	3.00 [76.20]	1.308 [33.22]	1.467 [37.26]	1
RD-9	8.9 [33.7]	2.00 [50.80]	1.080 [27.43]	1.353 [34.37]	2
RD-10	8.9 [33.7]	1.50 [38.10]	.618 [15.70]	1.122 [28.50]	8



A Pipe Size In. [mm]	Approx. Wt. Lbs. [kg]
2,3,4 [51,76,102]	36 [16]
5,6 [127,152]	37 [17]
8 [203]	38 [18]

ENGINEERING SPECIFICATION: ZURN Z100-305

15" [381 mm] Diameter roof drain. Dura-Coated cast iron body with combination membrane flashing clamp/gravel guard, gasketed flow control water dam with orifice, 6" [152mm] diameter standpipe and stainless steel perforated gravel guard with solid secured top.

OPTIONS (Check/specify appropriate options)

PIPE SIZE

- 2,3,4,5,6,8 [51,76,102,127,152,203]
- 2,3,4,5,6,8 [51,76,102,127,152,203]
- 2,3,4,5,6,8 [51,76,102,127,152,203]
- 2,3,4 [51,76,102]
- 6 [152]

(Specify size/type) **OUTLET**

- ___ IC Inside Caulk
- ___ IP Threaded
- ___ NH No-Hub
- ___ NL Neo-Loc
- ___ NL Neo-Loc

E BODY HT. DIM.

- 5-1/4 [133]
- 3-3/4 [95]
- 5-1/4 [133]
- 4-9/16 [116]
- 5-7/16 [112]

PREFIXES

- ___ Z D.C.C.I. Body

SUFFIXES

- ___ -AC Angular Underdeck Clamp
- ___ -AR Acid Resistant Epoxy Coated
- ___ -C Underdeck Clamp
- ___ -DE Deck Extension
- ___ -DP Top-Set® Deck Plate (Replaces both the -C and -R)
- ___ -DR Top-Set® Drain Riser
- ___ -DX Dex-o-tex Flange
- ___ -E Static Extension 1 [25] thru 4 [102] (Specify Ht.)
- ___ -EA Adjustable Extension Assembly (2-1/8 [54] thru 3-1/2 [89])

- ___ -EB Top-Set® Adjustable Extension Assembly
- ___ -G Galvanized Cast Iron
- ___ -R Roof Sump Receiver
- ___ -SC Secondary Clamp Collar
- ___ -TC Neo-Loc Test cap gasket (2,3,4 [51,76,102]) NL Bottom Outlet Only)
- ___ -VP Vandal-Proof Secured Top
- ___ -90 90° Threaded Side Outlet Body (2,3, 4, 5, 6 [51, 76, 101, 126, 151])

* Regularly furnished unless otherwise specified.