



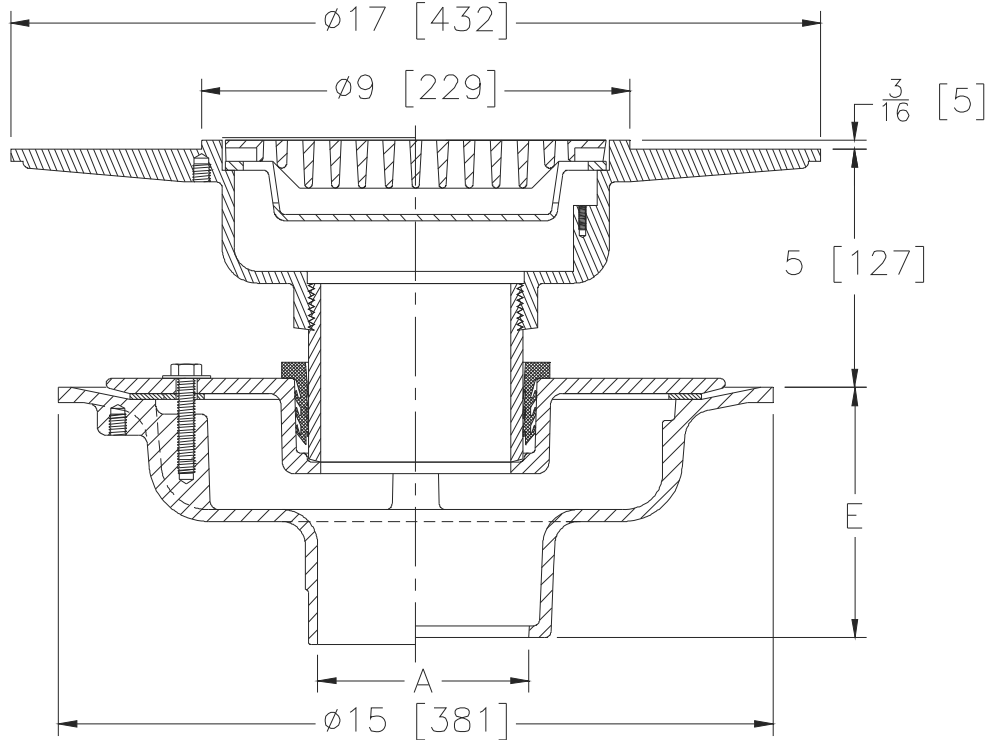
Z625-111

ISOLATION DECK ADJUSTABLE DRAIN W/ 9 [229] MEDIUM-DUTY WIDE FLANGE DECK DRAIN

SPECIFICATION SHEET

TAG _____

Dimensional Data (inches and [mm]) are Subject to Manufacturing Tolerances and Change Without Notice



A Pipe Size in [mm]	Approx Wt. lbs [kg]	Grate Open Area in ² [cm ²]
2,3,4 [51,76,102]	42 [19]	9 [58]
5,6 [127,152]		

ENGINEERING SPECIFICATION: ZURN Z625-111

Adjustable isolation deck drain, Dura-Coated cast iron upper body with 9" [229mm] diameter wide drain, latex troweling flange, flat heel-proof medium duty grate with suspended sediment bucket, and lower body with lower clamp collars, neoprene flex gasket, and isolation nipple.

OPTIONS (Check/specify appropriate options)

PIPE SIZE

- 2,3,4,5,6 [51,76,102,127,152]
- 2,3,4,6 [51,76,102,152]
- 2,3,4,5,6 [51,76,102,127,152]
- 2,3,4,5,6 [51,76,102,127,152]
- 2,3,4 [51,76,102]

(Specify size/type) OUTLET

- ___ IC Inside Caulk
- ___ IG Inside Gasket
- ___ IP Threaded
- ___ NH No-Hub
- ___ NL Neo-Loc

'E' BODY HT. DIM.

- 5-1/4 [133]
- 5-1/4 [133]
- 3-3/4 [95]
- 5-1/4 [133]
- 4-5/8 [117]

PREFIXES

- ___ ZB D.C.C.I Body w/ Polished Bronze Top
- ___ ZN D.C.C.I Body w/ Polished Nickel Bronze Top*

SUFFIXES

- ___ -C Underdeck Clamp (Lower Body)
- ___ -G Galvanized Cast Iron
- ___ -R Sump Receiver (Lower Body)
- ___ -VP Vandal-Proof Secured Top

* Regularly furnished unless otherwise specified.