



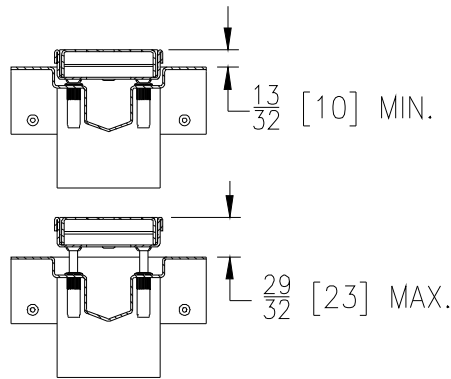
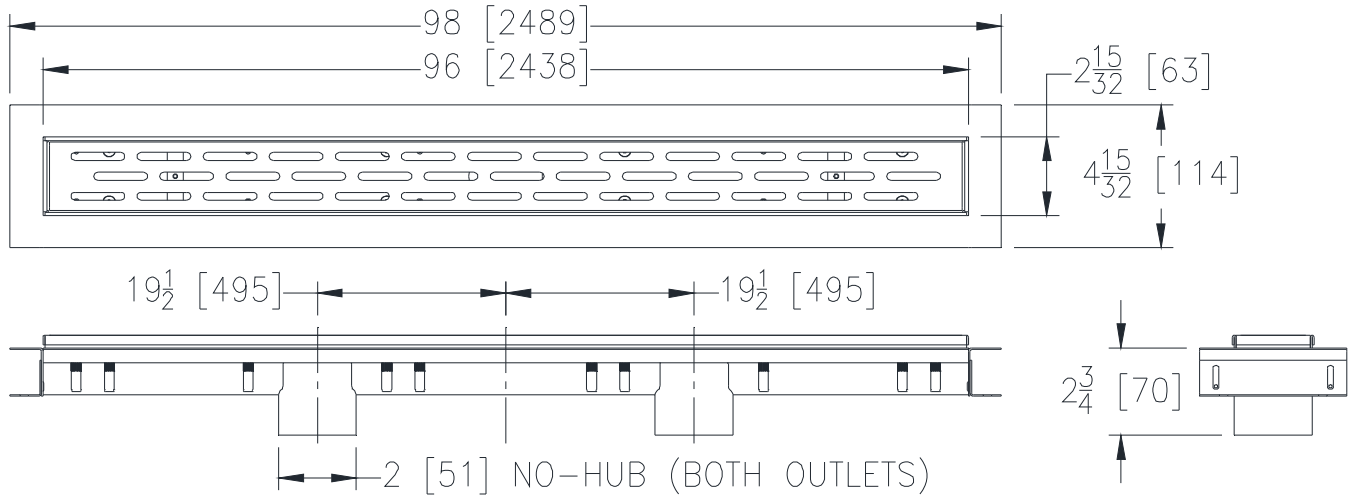
ZS880-96

96 [2438] STAINLESS STEEL LINEAR SHOWER DRAIN W/TWO BOTTOM OUTLETS

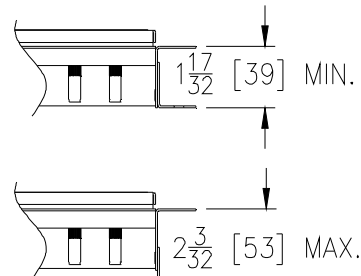
SPECIFICATION SHEET

TAG _____

Dimensional data (inches and [mm]) are subject to manufacturing tolerances and change without notice.



FRAME ADJUSTMENT RANGE



ANCHORING SUPPORT LEG ADJUSTMENT RANGE

PAT NO.
8,347,424

Approx. Wt. Lbs. [kg.]	Grate Open Area Sq. In. [cm ²]
16.8 [8]	54 [348]

ENGINEERING SPECIFICATION: ZS880-96

96 [2438] all Type 304 (CF8) Fabricated Stainless Steel Linear Shower Drain. Complete with vertically adjustable anchoring support legs, anti-ponding V-shaped channel with two 2 [51] No-Hub bottom outlets, adjustable secured leveling frame with built-in tile edge, and secured, light-duty, slotted heel-proof grate. Drain is designed for installation in a minimum 2 [51] concrete pour and can be adjusted to accommodate 1/4 [6] and 3/8 [10] finished tile thicknesses.

OPTIONS (Check/specify appropriate options)

PREFIXES

- ___ ZS All Type 304 (CF8) Stainless Steel*
- ___ ZR All Type 304 (CF8) Stainless Steel w/ Oil-Rubbed Bronze Finish

GRATE OPTIONS

- ___ -BW Basket Weave Grate
- ___ -DB Decorative Block Grate
- ___ -SG Serenity Grate
- ___ -TG Tile In-Lay Grate
- ___ -WG Wave Grate

SUFFIXES

- ___ -FS Outlet Filter Screen
- ___ -LB Lower Body With Membrane Clamp Collar

* Regularly furnished unless otherwise specified