



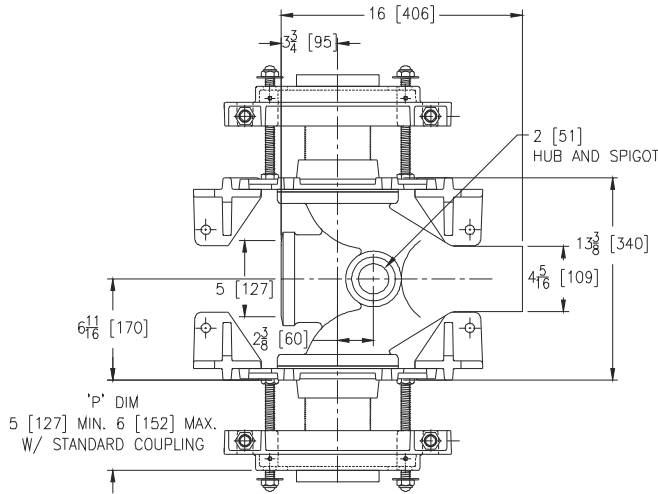
Z1203-HD4-XB

BARIATRIC CARRIER - 100 LB [454 KG] ADJUSTABLE, HORIZONTAL, BACK TO BACK SIPHON JET HUB AND SPIGOT

SPECIFICATION SHEET

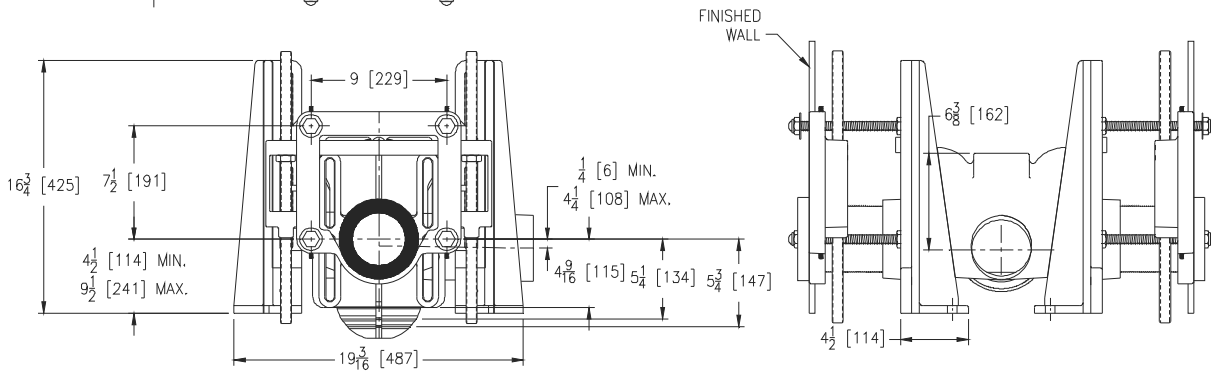
TAG _____

Dimensional Data (inches and [mm]) are Subject to Manufacturing Tolerances and Change Without Notice



Product Number	Approx Wt. lb [kg]
Z1203-HD4-XB	153 [66]

PATENT PENDING



* PULL OUT FORCES ARE CALCULATED VALUES, WITH STANDARD COUPLING ASSEMBLY. NO SAFETY FACTOR HAS BEEN APPLIED.

ENGINEERING SPECIFICATION: ZURN Z1203-HD4-XB

Adjustable, horizontal siphon jet water closet "Rigid System" with 4" [102mm] Hub and Spigot connections, rated for a 1000-Lb. [454 kg] maximum static load. Complete with Dura-Coated cast iron double main fitting, with 2" [51 mm] vent, adjustable gasketed faceplates, floor mounted foot supports, stud support / finishing frames, corrosion resistant adjustable cast iron couplings, fixture bolts, trim, stud protectors, and bonded "Neo-Seal" gaskets. Carrier complies with all applicable requirements of ASME A112.6.1M up to a 1000-Lb. [454-kg.] load.

OPTIONS (Check/specify appropriate options)

___ **Z1203-HD4-XB** 4 [102] No-Hub Back-to-Back Inlet

PREFIXES

___ **Z** D.C.C.I. System with Zurn "ZZ" Adjustable Coupling**
___ **ZQ** D.C.C.I. System with NPT Faceplate, Non-Adjustable Coupling

SUFFIXES

___ **-CV** Closed Vent (Use only when local codes allow) ___ **-29** Mechanical Test Cap Assembly
___ **-G** Galvanized Cast Iron ___ **-50** Flush Valve Supply Support for Water Closets
___ **-T** Threaded Connection ___ **-61** "ZZ" Coupling Wrench
___ **-VP** Vandal-Proof Trim

Note:

1. Feet bolted to floor using anchors capable of achieving the specified pull-out force.
2. Min. 'P' Dim. Obtainable=2-5/8 [67]
3. Floor anchors each must be able to withstand a pull-out force of 732 lbs. [332 kg.]

* Regularly furnished unless otherwise specified.

Zurn Industries, LLC | Specification Drainage Operation
1801 Pittsburgh Avenue, Erie, PA U.S.A. 16502 · Ph. 855-663-9876, Fax 814-454-7929
In Canada | Zurn Industries Limited
3544 Nashua Drive, Mississauga, Ontario L4V 1L2 · Ph. 905-405-8272, Fax 905-405-1292
www.zurn.com

Rev. -
Date: 09/18/2017
C.N. No. 137744
Prod. | Dwg. No. Z1203-HD4-XB