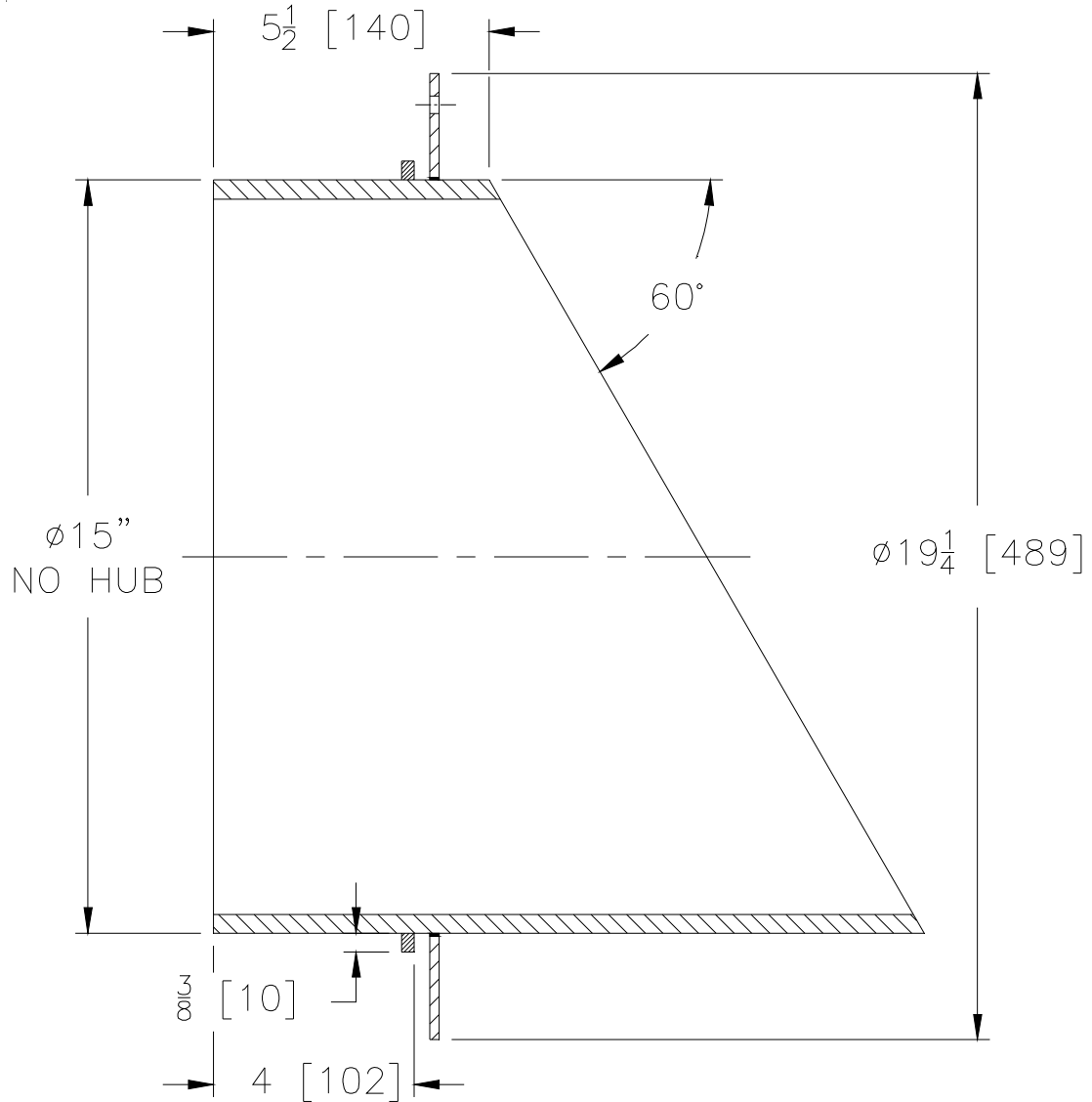


Dimensional Data (inches and [mm]) are Subject to Manufacturing Tolerances and Change Without Notice

**ENGINEERING SPECIFICATION: ZURN Z199-101**

Acid resistant, epoxy coated, fabricated steel Downspout Nozzle with wall flange.

PREFIXES

- ___ Z Acid Resistant Coated Fabricated Steel Body and Wall Flange
- ___ ZS Stainless Steel Fabricated Body and Wall Flange

* Regularly furnished unless otherwise specified.