



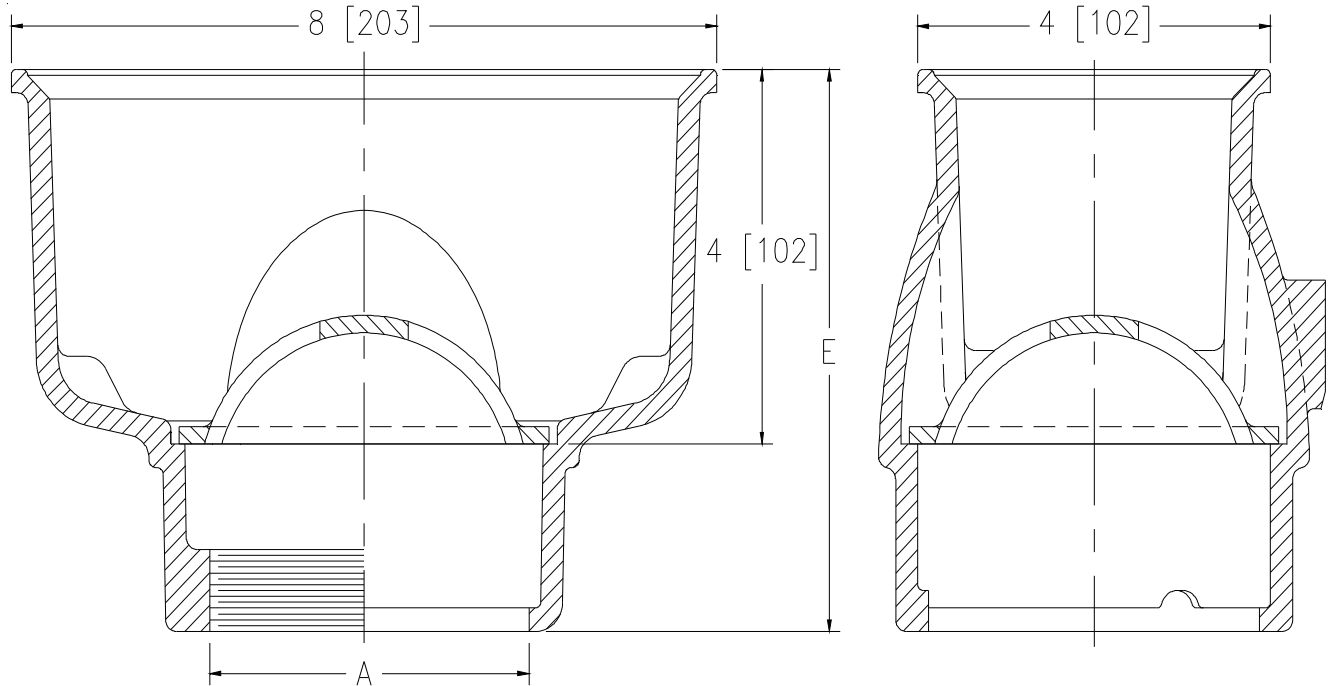
Z1930-1

8 X 4 [203 X 102] A.R.C. SANI-FLOR RECEPTOR
4 [102] SUMP DEPTH LESS GRATE

SPECIFICATION SHEET

TAG _____

Dimensional Data (inches and [mm]) are Subject to Manufacturing Tolerances and Change Without Notice



A Pipe Size In. [mm]	Approx. Wt. Lbs [kg]
2,3 [51,76]	9 [4]

ENGINEERING SPECIFICATION: ZURN Z1930-1

Sani-Flor Receptor 8" x 4" x 4" [203mm x 102mm x 102mm] deep cast iron body less grate, with white acid resisting epoxy coated interior and top, and white ABS anti-splash interior bottom dome strainer.

OPTIONS (Check/specify appropriate options)

PIPE SIZE

3 [76]
2,3 [51,76]
2,3 [51,76]

(Specify size/type) OUTLET

___ IC Inside Caulk
___ IP Threaded
___ NL Neo-Loc

E BODY HT. DIM.

6 [152]
6 [152]
5-13/16 [148]

PREFIXES

___ Z Cast Iron Body with White A.R.C. Interior*

SUFFIXES

___ -K Anchor Flange with Seepage Holes
___ -KC Anchor Flange with Seepage Holes and Clamp Collar
___ -LD Less Bottom Dome Strainer
___ -P 1/2 [13] Trap Primer Connection
___ -S Secondary Strainer
___ -TC Neo-Loc Test Cap Gasket (2,3 [51,76] NL Bottom Outlet Only)

___ -23 Stainless Steel Bucket
___ -25 White A.R.C. Bucket
___ -31 Stainless Steel Mesh Liner for Bucket
___ -32 Aluminum Dome Strainer
___ -33 White A.R.C. Anti-Splash Bottom Dome Strainer

* Regularly furnished unless otherwise specified.