

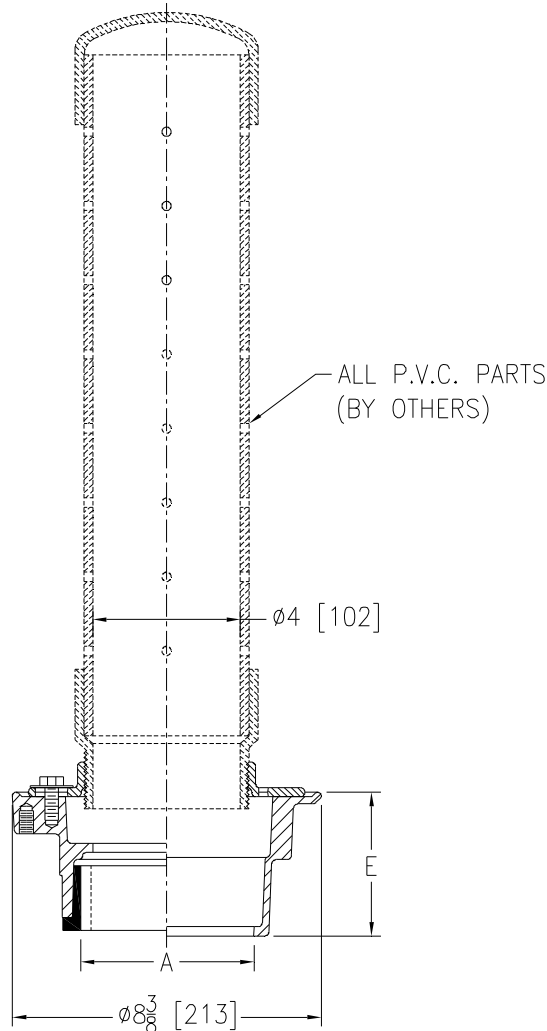


Z415P-78 BODY ASSEMBLY

SPECIFICATION SHEET

TAG _____

Dimensional Data (inches and [mm]) are Subject to Manufacturing Tolerances and Change Without Notice



ENGINEERING SPECIFICATION: ZURN Z415P-78 Floor and shower drain, Dura-Coated cast iron body with bottom outlet, combination invertible membrane clamp and adjustable collar with seepage slots.

OPTIONS (Check/specify appropriate options)

PIPE SIZE	(Specify size/type)	OUTLET	'E' BODY HT. DIM.
2 thru 4 [51 thru 102]	_____ IC	Inside Caulk	3 7/8 [98]
2 [51]	_____ IP	Threaded	2 3/8 [60]
3 [76]	_____ IP	Threaded	2 5/8 [67]
4 [102]	_____ IP	Threaded	2 7/8 [73]
2 thru 4 [51 thru 102]	_____ NH	No-Hub	3 7/8 [98]
2 thru 4 [51 thru 102]	_____ NL	Neo-Loc	3 3/4 [95]

SUFFIXES

- _____ -AR Acid Resisting Epoxy Coated Cast Iron
- _____ -G Galvanized Cast Iron
- _____ -P Trap Primer Connection (Specify 1/2 [13] or 3/4 [19])
- _____ -SR Stabilizer Ring
- _____ -90 90° Threaded Side Outlet Body Assembly (2 [51], 3 [76] Only)

REV.	DATE: 1/27/09	C.N. NO. 99617
DWG. NO. P-15652		PRODUCT NO. Z415P-78

*REGULARLY FURNISHED UNLESS OTHERWISE SPECIFIED