

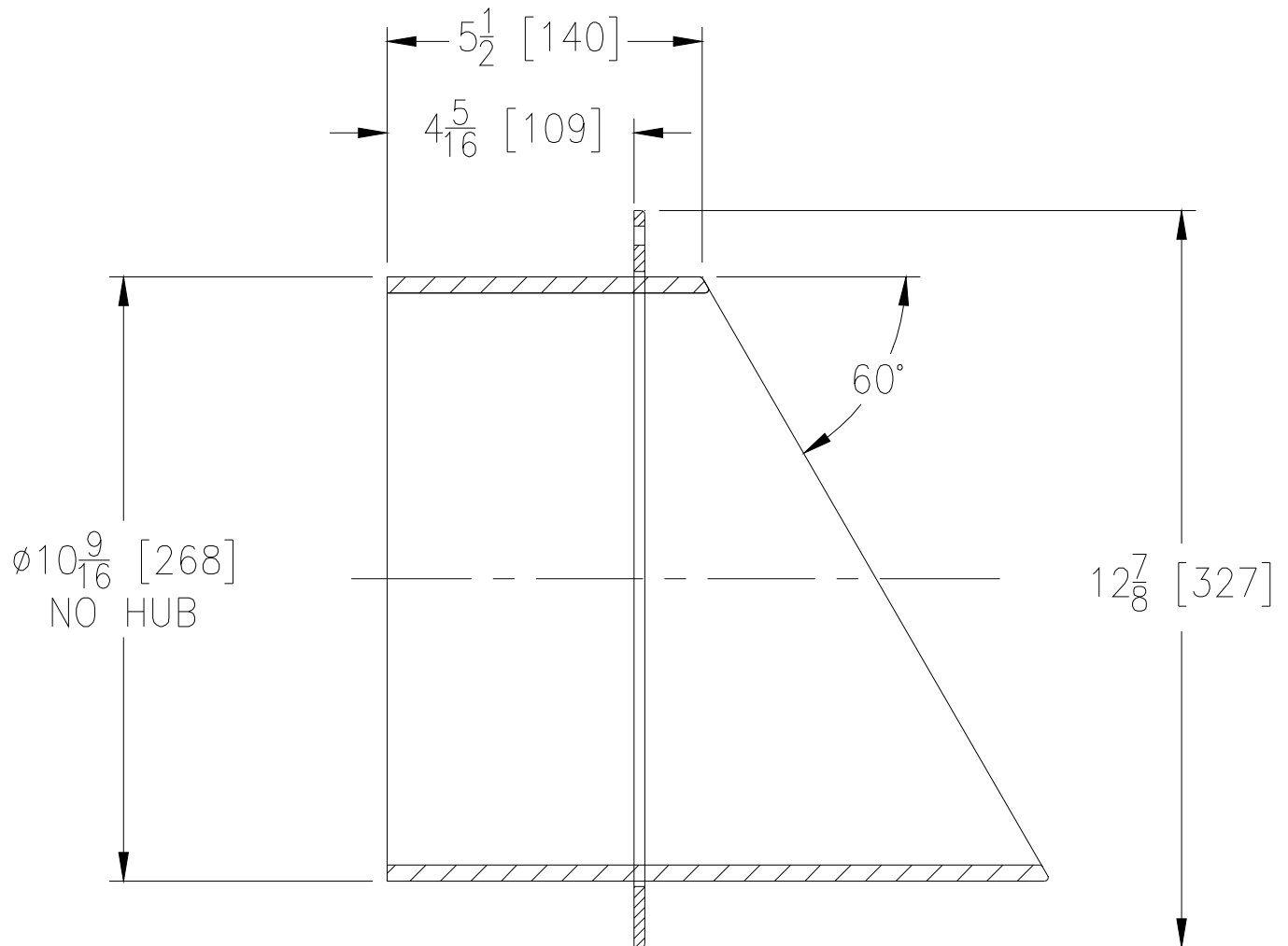


Z199-96
10 [254] DOWNSPOUT NOZZLE

SPECIFICATION SHEET

TAG _____

Dimensional Data (inches and [mm]) are Subject to Manufacturing Tolerances and Change Without Notice



ENGINEERING SPECIFICATION: ZURN Z-199-96 10-9/ 16 [268] Downspout Nozzle, fabricated stainless steel body and wall flange.

REV.	DATE: 01/16/13	C.N. NO. 128690
DWG. NO. 311216	PRODUCT NO. Z199-96	

*REGULARLY FURNISHED UNLESS OTHERWISE SPECIFIED