



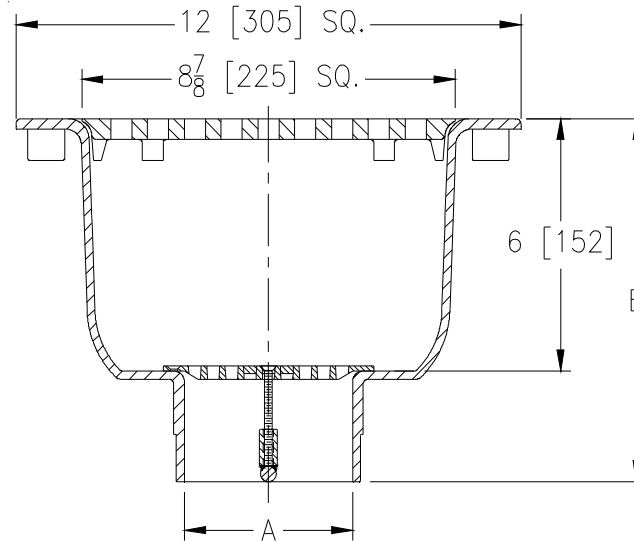
Z1900-VPS

12 x 12 [305 x 305] A.R.E. SANI-FLOR RECEPTOR 6 [152]
SUMP DEPTH W/ VANDAL-PROOF FLAT BOTTOM
STRAINER & LOCKDOWN BAR

SPECIFICATION SHEET

TAG _____

Dimensional Data (inches and [mm]) are Subject to Manufacturing Tolerances and Change Without Notice



A Pipe Size In [mm]	Approx Wt. Lbs.[kg]	Grate Open Area Sq. In. [cm ²]
3,4 [76,102]	32 [15]	31 [200]

ENGINEERING SPECIFICATION: ZURN Z1900-VPS

Sani-Flor Receptor 12" x 12" x 6" [305mm x 305mm x 152mm] deep cast iron body, square slotted light-duty grate, with white acid resisting porcelain enamel interior and top, black ground enamel exterior coating, and internal vandal-proof flat bottom bronze strainer with lockdown bar.

OPTIONS (Check/specify appropriate options)

PIPE SIZE

3,4 [76,102]

(Specify size) OUTLET

____ NH No-Hub

'E' BODY HT. DIMENSION

Z	ZN/ZS
8-5/8 [219]	9-1/8 [232]

PREFIXES

- ____ Z Cast Iron Body with White A.R.E. Interior*
- ____ ZN Cast Iron Body with White A.R.E. Interior, 12-1/2 [318] Square Nickel Bronze Frame and Full Grate with 1/2 [13] Square Openings
- ____ ZS Cast Iron Body w/ White A.R.E. Interior, 12-1/2 [318] Square Stainless Steel Frame and Full Grate with 1/2 [13] Square Openings

SUFFIXES

- | | |
|---|---|
| ____ -DX Dex-O-Tex Flange (ZN Only) | ____ -6 Grate w/ 6 [152] Dia. x 6 [152] High Funnel |
| ____ -HD Stainless Steel Frame w/ Extra Heavy-Duty Stainless Steel Grate (ZS Only) | ____ -8 Grate w/ 8-7/8 x 3-5/8 x 3-3/4 [225 x 92 x 95] High Oval Funnel |
| ____ -HP Heel-Proof Grate (ZN Only) | ____ -11 Vandal-Proof Secured Grate (ZN & ZS Only) |
| ____ -K Anchor Flange with Seepage Holes | ____ -15 Solid Loose Set Cover (Z & ZN Only) |
| ____ -KC Anchor Flange with Seepage Holes and Clamp Collar | ____ -19 Full Hinged Grate (ZN Only) |
| ____ -P 1/2 [13] Trap Primer Connection (See Z1023) | ____ -23 Aluminum Bucket |
| ____ -SA Stabilizer Assembly (See Z1903) | ____ -25 White A.R.E. Bucket |
| ____ -1 (Less) Grate | ____ -31 Stainless Steel Mesh Liner for Bucket |
| ____ -2 1/2 Grate | |
| ____ -3 3/4 Grate | |
| ____ -4 Full Grate w/ Center Opening (2 [51] Dia. for Z) and (3-1/32 [77] Square for ZN & ZS) | |

* Regularly furnished unless otherwise specified.