



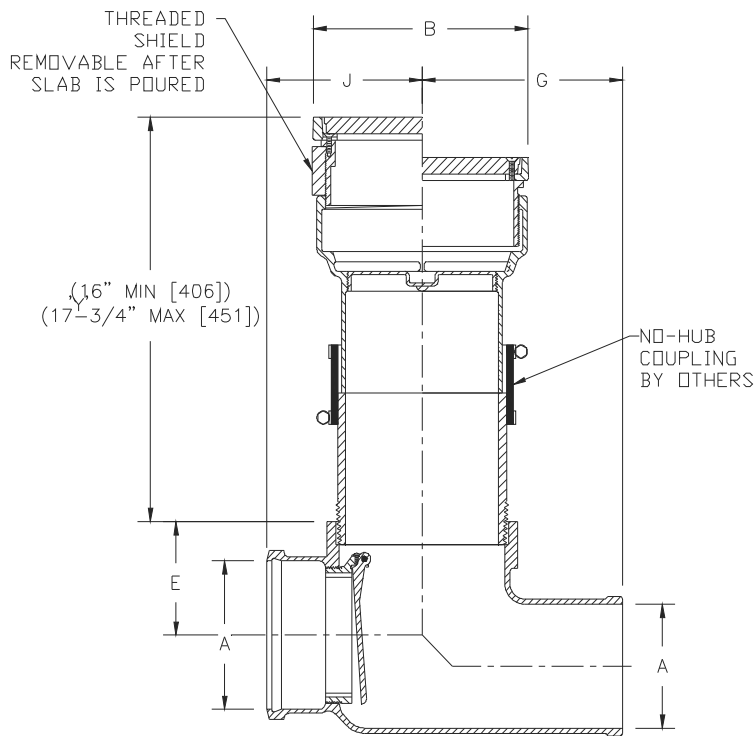
Z1095-90

BACKWATER VALVE WITH ADJUSTABLE FLOOR CLEANOUT - FLAPPER TYPE

SPECIFICATION SHEET

TAG _____

Dimensional Data (inches and [mm]) are Subject to Manufacturing Tolerances and Change Without Notice



ENGINEERING SPECIFICATION: ZURN Z1095-90

Backwater Valve, Dura-Coated cast iron body, hub inlet and offset spigot outlet complete with Z1040-8 No-Hub adapter and Z1400-8NH "Level-Trol" Adjustable floor cleanout. Z1400 will be furnished with Dura-Coated cast iron body with gas and watertight ABS tapered thread plug and round scoriated cast iron extra-heavy-duty secured top (Specify finish Z, ZB, ZN, ZS) adjustable to finished floor.

Dimensions In Inches [mm]					Approx. Wt. Lbs. [kg]	
Pipe Size		E	G	J		K
A	B					
6 [152]	9-1/4 [235]	6 [152]	10 [254]	7-3/4 [197]	4-1/2 [108]	95 [43]

CONNECTIONS (Check/specify appropriate options)

PIPE SIZE

6 [152]

(Specify size/type) CONNECTION

_____ HB X SP Hub x Spigot

PREFIXES

- _____ Z D.C.C.I. Body*
- _____ ZB D.C.C.I. Body w/ Polished Bronze Light-Duty Top
- _____ ZN D.C.C.I. Body w/ Polished Nickel Bronze Light-Duty Top
- _____ ZS D.C.C.I. Body w/ Polished Stainless Steel Extra-Heavy-Duty Top (Add 3/16 [5] to 'Y' Dim)

SUFFIXES

- _____ -AR Acid Resisting Epoxy Coated Finish
- _____ -BP Bronze Plug
- _____ -CF Carpet Flange Cover (ZB and ZN only)
- _____ -CM Carpet Marker
- _____ -DC Duresist Cover
- _____ -K Anchor Flange
- _____ -KC Anchor Flange w/ Clamping Collar
- _____ -PC Protective Cover
- _____ -SG Solid Gasketed Cover
- _____ -SM Special Marking Stamped on Top
- _____ -T Square Top
- _____ -G Galvanized Cast Iron
- _____ -HD Extra-Heavy-Duty Veneer Top (Add 1/8 [3] to 'Y' Dim.) (ZB and ZN only)

* Regularly furnished unless otherwise specified.