



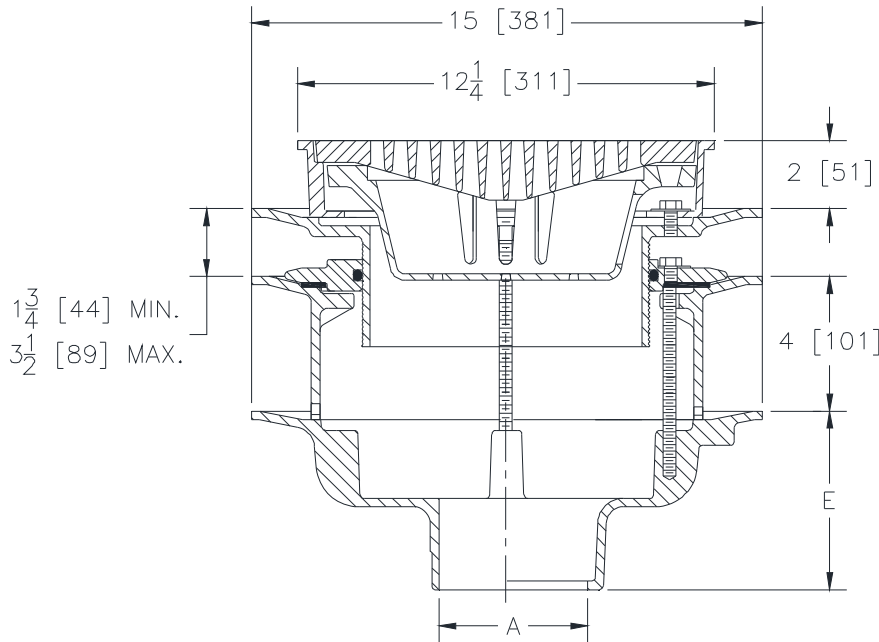
Z541-134

12 [305] DIAMETER HEAVY-DUTY DRAIN WITH ADJUSTABLE AND STATIC EXTENSIONS

SPECIFICATION SHEET

TAG _____

Dimensional Data (inches and [mm]) are Subject to Manufacturing Tolerances and Change Without Notice



A- Pipe Size In. [mm]	Approx. Wt. Lbs. [kg]	Grate Open Area Sq. In. [cm ²]
3,4 [76,102]	95 [43]	30 [194]
6,8 [152,203]	96 [44]	

ENGINEERING SPECIFICATION: ZURN Z541-134

12" [305mm] Diameter top drain, Dura-Coated cast iron body with bottom outlet, seepage pan and combination membrane flashing clamp frame, adjustable and static extensions with suspended sediment bucket.

OPTIONS (Check/specify appropriate options)

PIPE SIZE

3, 4, 6, 8, [76, 102, 152, 203]
3, 4, 6, 8, [76, 102, 152, 203]

(Specify size/type) OUTLET

___ IC Inside Caulk
___ NH No-Hub

'E' BODY HT. DIM.

5-1/4 [133]
5-1/4 [133]

PREFIXES

- ___ Z D.C.C.I. Body and Grate*
- ___ ZB D.C.C.I. Body with Polished Bronze Grate (Add 3/16 [5] to 2 [51] Dim.)
- ___ ZN D.C.C.I. Body with Polished Nickel Bronze Grate (Add 3/16 [5] to 2 [51] Dim.)

SUFFIXES

- ___ -DG Duresist Grate
- ___ -DX Dex-o-tex Flange (See Z532)
- ___ -G Galvanized Cast Iron
- ___ -LY (Less) Sediment Bucket
- ___ -P Trap Primer Connection
- ___ -S Secondary Strainer
- ___ -SS Stainless Mesh Liner for Bucket
- ___ -V Backwater Valve (See Z1099)
- ___ -VP Vandal Proof Secured Top
- ___ --90 90° Threaded Side Outlet Body (2,3,4,5,6 [51,76,102,127,152])

* Regularly furnished unless otherwise specified.