



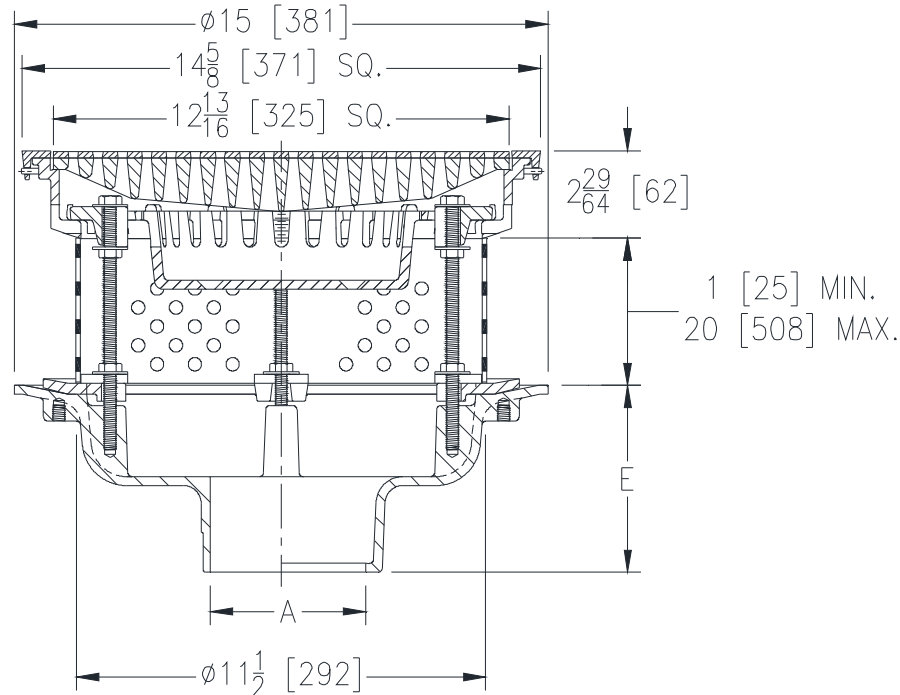
# ZB150-VP-Y-85

SPECIFICATION SHEET

14-5/8 [371] SQUARE TOP PROM-DECK DRAIN W/ VANDAL PROOF SECURED BRONZE GRATE, SEDIMENT BUCKET, AND STAINLESS STEEL PERFORATED EXTENSION

TAG \_\_\_\_\_

Dimensional Data (inches and [ mm ]) are Subject to Manufacturing Tolerances and Change Without Notice



A Pipe Size in [mm]	Approx Wt. lbs [kg]	Grate Open Area in <sup>2</sup> [cm <sup>2</sup> ]
2,3,4 [51,76,102]	54 [24]	44 [284]
6 [152]		
8 [203]	56 [25]	

**ENGINEERING SPECIFICATION:** ZURN ZB150-VP-Y-85

14-5/8" [371mm] Square top Prom-Deck drain, Dura-Coated cast iron body with rotatable square promenade frame with seepage openings, frame clamps, perforated stainless steel extension, vandal-proof secured heavy-duty heel proof grate, and sediment bucket. Also supplied with bronze veneer for frame and grate.

**OPTIONS** (Check/specify appropriate options)

**PIPE SIZE**

- 2,3,4,6 [51,76,102,152]
- 2,3,4,6, 8 [51,76,102,152,203]
- 2,3,4,6, 8 [51,76,102,152,203]
- 2,3,4 [51,76,102]

(Specify size/type) **OUTLET**

- \_\_\_\_\_ IC Inside Caulk
- \_\_\_\_\_ IP Threaded
- \_\_\_\_\_ NH No-Hub
- \_\_\_\_\_ NL Neo-Loc

**E BODY HT. DIM.**

- 5-1/4 [133]
- 3-3/4 [95]
- 5-1/4 [133]
- 4-5/8 [117]

**PREFIXES**

- \_\_\_\_\_ ZB D.C.C.I. Body with Polished Bronze Top\*
- \_\_\_\_\_ ZN D.C.C.I. Body with Polished Nickel Bronze Top

**SUFFIXES**

- |   |  |
|---|--|
| _____ -AR Acid Resistant Epoxy Coated                           | _____ -EA Adjustable Extension Assembly  |
| _____ -C Underdeck Clamp  | _____ -EB Top-Set® Adjustable Extension Assembly                               |
| _____ -DE Deck Extension (Includes Deck Plate -DP)              | _____ -G Galvanized Cast Iron  |
| _____ -DG Duresist Grate  | _____ -R Roof Sump Receiver  |
| _____ -DP Top-Set® Roof Deck Plate<br>(Replaces both -C and -R) | _____ -S Secondary Strainer  |
| _____ -DR Top-Set® Drain Riser                                  | _____ -TC Neo-Loc Test Cap Gasket<br>(2,3,4 [51,76,102] NL Bottom Outlet Only) |
| _____ -DT Decorative Polished Top (ZN and ZB Only)              | _____ -XJ Vertical Expansion Joint (See Z190)                                  |
| _____ -E Static Extension 1 [25] thru 4 [102] (Specify Ht.)     | _____ -90 90° Threaded Side Outlet Body<br>(2,3,4,6 [51,76,102,152])           |

\* Regularly furnished unless otherwise specified.