



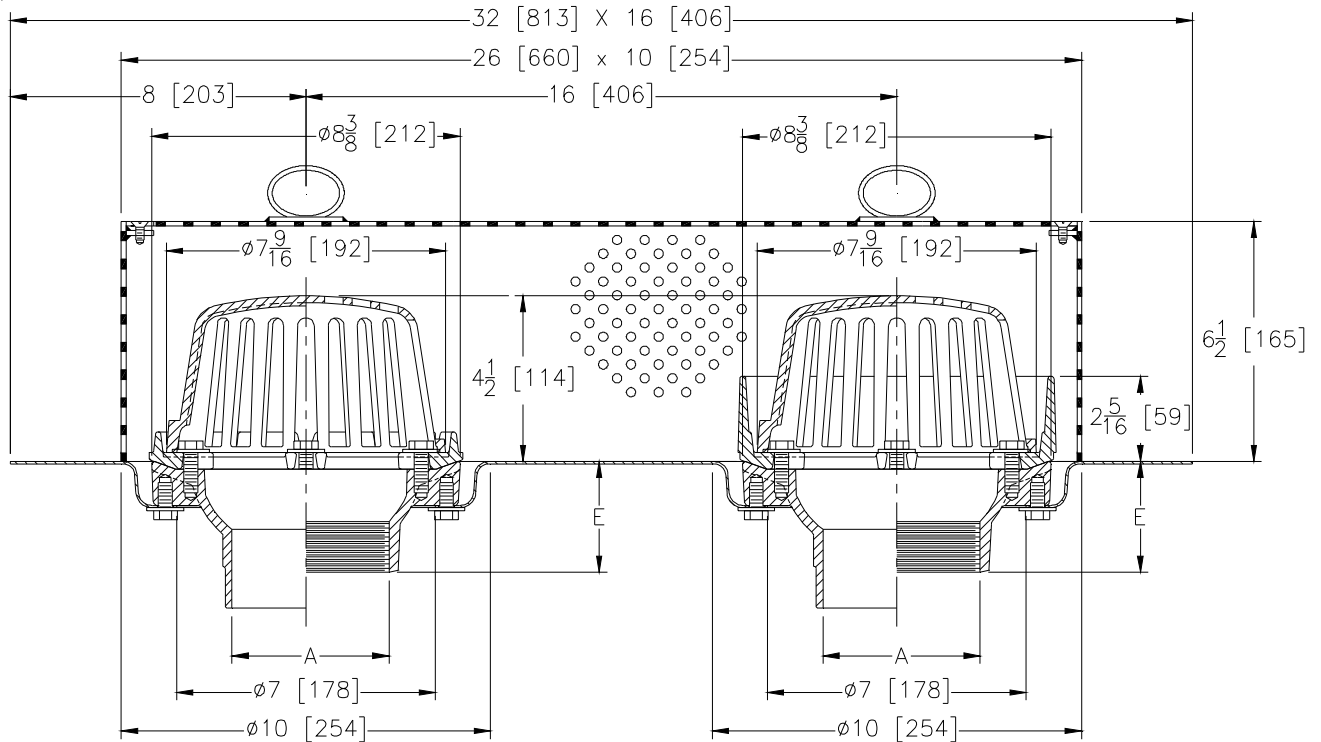
Z165-77

8 3/8 [213] DIAMETER COMBINATION MAIN ROOF AND OVERFLOW DRAIN WITH LOW SILHOUETTE DOMES AND DOUBLE TOP-SET® DECK PLATE, AND PERFORATED GRAVEL GUARD / COVER WITH LIFT RINGS

SPECIFICATION SHEET

TAG _____

Dimensional Data (inches and [mm]) are Subject to Manufacturing Tolerances and Change Without Notice



A Pipe Size In.	Approx. Wt. Lbs. [kg]	Dome Open Area Sq. In. [cm ²]
2-3-4 [51-76-102]	28 [13]	43 [277]

ENGINEERING SPECIFICATION: ZURN Z165-77

8 3/8 [213] Diameter roof drain and overflow drain, Dura-Coated cast iron bodies with combination membrane flashing clamp/gravel guards, double Top-Set® deck plate, low silhouette cast iron domes, and stainless steel perforated gravel guard / cover with lift rings.

OPTIONS (Check/specify appropriate options)

PIPE SIZE

- 4 [102]
- 3 [76]
- 2 [51]
- 2-3-4 [51-76-102]

(Specify size/type) OUTLET

- ___ IP Threaded
- ___ IP Threaded
- ___ IP Threaded
- ___ NH No-Hub

'E' BODY HT. DIM.

- 3 [76]
- 2 3/4 [70]
- 2 7/16 [62]
- 4 [102]

PREFIXES

- ___ Z D.C.C.I. Body with Dome*
- ___ ZA D.C.C.I. Body with Aluminum Dome
- ___ ZRB D.C.C.I. Body with Plain Bronze Dome

SUFFIXES

- ___ -AR Acid Resistant Epoxy Coated Finish
- ___ -E Static Extension 1 thru 4 [102] (Specify Ht.)
- ___ -G Galvanized Cast Iron
- ___ -SC Secondary Clamping Collar
- ___ -VP Vandal Proof Secured Top
- ___ -XJ Vertical Expansion Joint (See Z190)
- ___ -85 Stainless Steel Perforated Extension

*REGULARLY FURNISHED UNLESS OTHERWISE SPECIFIED

REV. DATE: 9/15/09 C.N. NO. 110203

DWG. NO. P-15759 PRODUCT NO. Z165-77

ZURN INDUSTRIES, LLC. ♦ SPECIFICATION DRAINAGE OPERATION ♦ 1801 Pittsburgh Ave. ♦ Erie, PA 16514

Phone: 814455-0921 ♦ Fax: 814454-7929 ♦ World Wide Web: www.zurn.com

In Canada: ZURN INDUSTRIES LIMITED ♦ 3544 Nashua Drive ♦ Mississauga, Ontario L4V1L2 ♦ Phone: 905405-8272 Fax: 905405-1292