



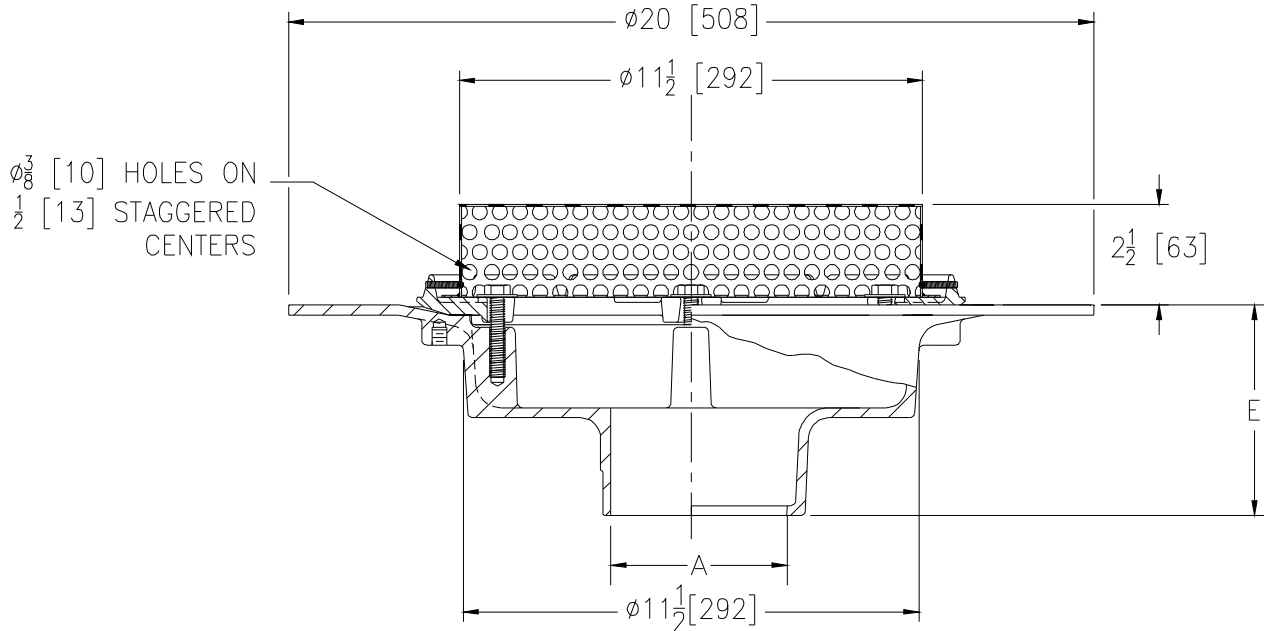
Z107-108

20 [508] WIDE DECK FLANGE ROOF DRAIN WITH STAINLESS STEEL PERFORATED DOME

SPECIFICATION SHEET

TAG _____

Dimensional Data (inches and [mm]) are Subject to Manufacturing Tolerances and Change Without Notice



| A-Pipe Size In. [mm] | Approx. Wt. Lbs. [kg] | Dome Open Area Sq. In. [cm ²] |
|----------------------|-----------------------|---|
| 3, 4 [76, 102] | 39 [18] | 103 [665] |
| 6, 8 [152, 203] | | |

ENGINEERING SPECIFICATION: ZURN Z107-108

20" [508mm] Diameter wide deck flange roof drain. Dura-Coated cast iron with combination membrane flashing clamp/gravel guard and stainless steel perforated dome.

OPTIONS (Check/specify appropriate options)

PIPE SIZE

(Specify size/type) **OUTLET**

E BODY HT. DIM.

3,4,6 [76,102,152]

_____ IC Inside Caulk

5-1/4 [134]

3,4,6,8 [76,102,152,203]

_____ NH No-Hub

5-1/4 [134]

PREFIXES

___ Z D.C.C.I. Body with Stainless Steel Perforated Dome*

SUFFIXES

- ___ -AC Angular Underdeck Clamp
- ___ -AR Acid Resistant Epoxy Coated Finish
- ___ -AW 3/4[19] to 4[102] Adjustable Water Level Regulator
- ___ -BS Bronze Mash Screen Over Dome
- ___ -C Underdeck Clamp
- ___ -E Static Extension 1[25] thru 4[102] (Specify Ht.)
- ___ -EA Adjustable Extension Assembly
1-3/4[44] thru 3-1/2[89]
- ___ -G Galvanized Cast Iron
- ___ -VP Vandal Proof Secured Top
- ___ -89 2[51] High External Water DAM

* Regularly furnished unless otherwise specified.