



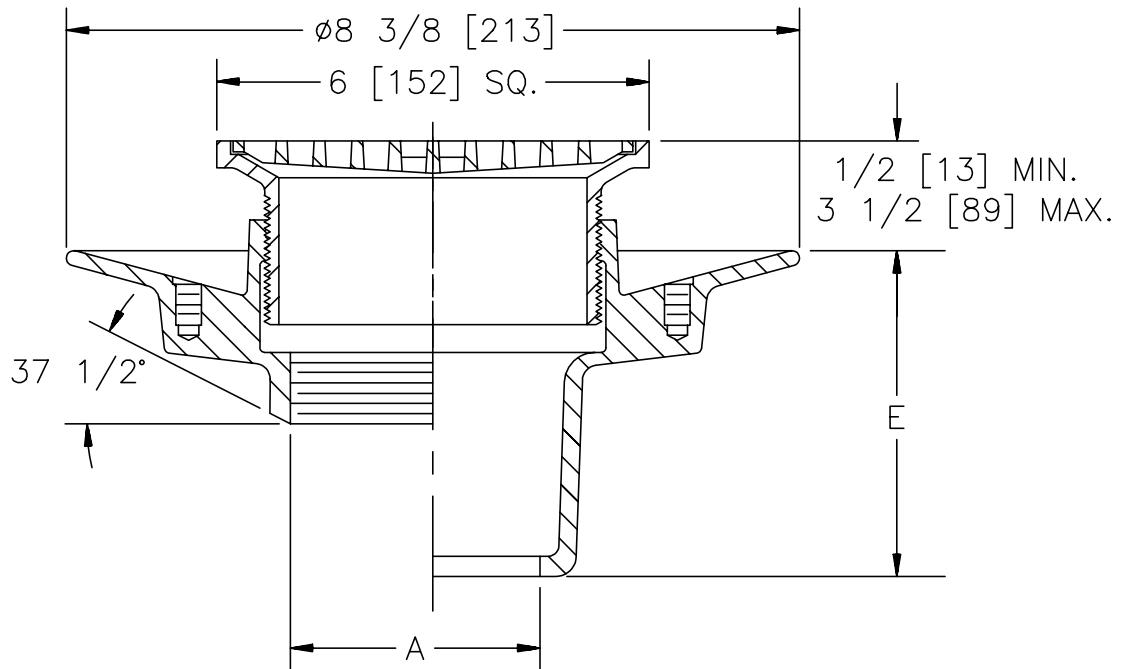
# Z-1726-75

## ADJUSTABLE FLOOR DRAIN MEDIUM DUTY

SPECIFICATION SHEET

TAG \_\_\_\_\_

Dimensional Data (inches and [ mm ]) are Subject to Manufacturing Tolerances and Change Without Notice



A- Pipe Size In.	Approx. Wt. Lbs. [kg]	Grate Open Area Sq. In. [cm <sup>2</sup> ]
2-3-4-6 [50-75-100-150]	14 [6]	13 [84]

**ENGINEERING SPECIFICATION: ZURN Z-1726-75**

All Type 304 (CF8) stainless steel adjustable floor drain with anchor flange (clamp collar with seepage holes, when specified), and 6 [152] square, vertically adjustable, polished nickel bronze strainer.

**OPTIONS** (Check/specify appropriate options)

**PIPE SIZE**

2 thru 4, 6 [50 thru 100, 150]

2 thru 4 [50 thru 100]

2 thru 4 [50 thru 100]

(Specify size/type) **OUTLET**

- \_\_\_ BW Butt-weld  
(Specify Schedule 10, 40 or 80)
- \_\_\_ IC Inside Caulk
- \_\_\_ IP Threaded

**'E' BODY HT. DIM.**

2 7/8 [73]

4 1/4 [108]

2 1/2 [64]

**PREFIXES**

- \_\_\_ Z- Type 304 (CF8) Stainless Steel Body\*
- \_\_\_ ZC- Type A-27 Carbon Steel Body (P.O.A.)
- \_\_\_ ZM- Type 316 (CF8M) Stainless Steel Body

**SUFFIXES**

- \_\_\_ -K Seepage Holes Only
- \_\_\_ -KC Clamp Collar With Seepage Holes
- \_\_\_ -SG Solid Gasketed Cover
- \_\_\_ -V Bronze Backwater Valve
- \_\_\_ -VP Vandal Proof Secured Top
- \_\_\_ -Y Sediment Bucket

REV.	DATE: 05/09/95	C.N. NO. 72279
DWG. NO. P-14196		PRODUCT NO. Z-1726-75

\*REGULARLY FURNISHED UNLESS OTHERWISE SPECIFIED