



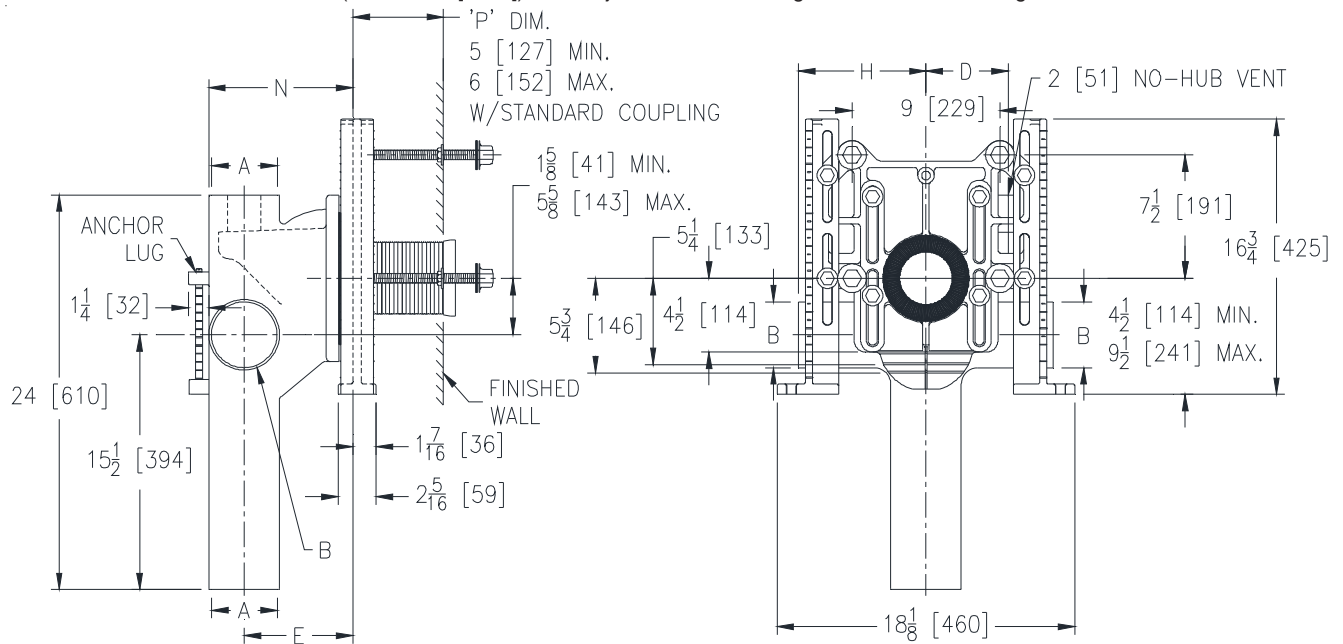
Z1204-2N

ADJUSTABLE VERTICAL SIPHON JET-NO-HUB WITH SIDE INLETS

SPECIFICATION SHEET

TAG _____

Dimensional Data (inches and [mm]) are Subject to Manufacturing Tolerances and Change Without Notice



Note:

1. Min. 'P' dim. obtainable = 2 [51] with cut standard coupling.
2. 2 [51] No-Hub vent regularly furnished on right side. Left-hand available when specified (-VL).
3. Feet bolted to floor using min. 1/2 [13] diameter bolts and back slots on carrier feet.
4. Back anchor feet required for secure installation.

'B' DIM - SIDE INLET SIZE
'D' DIM - CENTERLINE OF VENT

Product No.	Dimensions In Inches [mm]						Approx. Wt. Lbs. [kg]
	A	B	D	E	H	N	
Z1204-2N4	4 [102]	4 [102]	5[127]	6-5/8 [168]	5-1/2 [140]	8-7/8 [225]	88 [40]
Z1204-2N43	4 [102]	3 [76]	5[127]	6-5/8 [168]	5-1/2 [140]	8-7/8 [225]	88 [40]

ENGINEERING SPECIFICATION: ZURN Z1204-2N

Adjustable, vertical siphon jet water closet "Rigid System" with 4" [102mm] No-Hub connections and (2) () side inlets. Complete with Dura-Coated cast iron fitting, with 2" [51mm] vent, adjustable gasketed face plate, universal floor mounted foot supports, corrosion resistant adjustable Polymer coupling with integral test cap, fixture bolts, trim, stud protectors, rear anchor tie down, and bonded "Neo-Seal" gasket.

PRODUCT/DEFINITION

___ Z1204-2N 4 [102] No-Hub Stack, Single Inlet, (2) () Side Inlets, 2 [51] Right Hand Vent

PREFIXES

- ___ Z D.C.C.I. System with Zurn "ZZ" Adjustable Coupling*
- ___ ZQ D.C.C.I. System with NPT Face Plate, Non Adjustable Coupling

SUFFIXES

- ___ -A Auxiliary Support Assembly (For 'P'-Dim. Greater than 18 [457])
- ___ -B Blowout Type Fixture Support
- ___ -CC Corrosion Resistant Cast Iron Coupling (6 [152] to 12 [305])
- ___ -CL Coupling Length Other than Standard 6 [152] (Specify Length Required.)
- ___ -F Floor Mount, Back Outlet Fixture Support
- ___ -M Auxiliary Foot Support (For 'P'-Dim. 10 [254] - 18 [457])
- ___ -PF Pre-Fab Foot
- ___ -PS Pre-Fab Slotted Foot
- ___ -RYK Unistrut Pre-Fab Foot
- ___ -VP Vandal-Proof Trim
- ___ -X3 3 [76] Foot Extension Assembly (See Z1200-FT-EXT-3)
- ___ -X4 4 [102] Foot Extension Assembly (See Z1200-FT-EXT-4)
- ___ -45 Finishing Frame for Siphon Jet System (See Z1200-FINFRAME-SJ)
- ___ -50 Flush Valve Supply Support for W.C. (See Z1200-SPLY-SPRT-WC)

* Regularly furnished unless otherwise specified.