



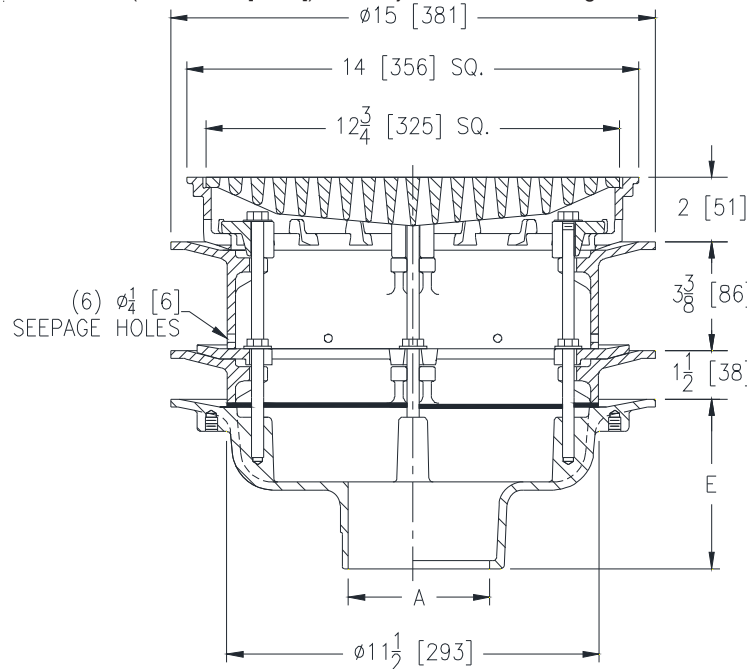
Z150-141

14 [356] SQUARE TOP PROM-DECK DRAIN
 W/HEEL-PROOF GRATE, ROTATABLE FRAME, SOLID STATIC
 EXTENSION AND STATIC EXTENSION W/ SEEPAGE HOLES

SPECIFICATION SHEET

TAG _____

Dimensional Data (inches and [mm]) are Subject to Manufacturing Tolerances and Change Without Notice



A- Pipe Size In. [mm]	Approx. Wt. Lbs.[kg]	Grate Open Area Sq. In.[Sq.cm]
2,3,4 [51,76,102]	68 [31]	44 [284]
5,6 [127,152]		
8 [203]	70 [32]	

ENGINEERING SPECIFICATION: ZURN Z150-141

14" [356mm] Square Top Prom-Deck drain, Dura-Coated cast iron body, secondary aluminum flat clamp collar, solid gasketed static extension, static extension with seepage holes, rotatable square promenade frame with seepage openings, frame clamps, and heavy-duty heel-proof grate.

OPTIONS (Check/specify appropriate options)

PIPE SIZE

- 2,3,4,5,6,8 [51,76,102,127,152,203]
- 2,3,4,5,6,8 [51,76,102,127,152,203]
- 2,3,4,5,6,8 [51,76,102,127,152,203]
- 2,3,4 [51,76,102]

(Specify size/type) OUTLET

- _____ IC Inside Caulk
- _____ IP Threaded
- _____ NH No-Hub
- _____ NL Neo-Loc

E BODY HT. DIM.

- 5-1/4 [133]
- 3-3/4 [95]
- 5-1/4 [133]
- 4-9/16 [116]

PREFIXES

- _____ Z D.C.C.I. Body with Top*
- _____ ZB D.C.C.I. Body with Polished Bronze Top (Add 3/16[5] to 2[51] Dim & 3/8[10] to 14[356] Dim.)
- _____ ZN D.C.C.I. Body with Polished Nickel Bronze Top (Add 3/16[5] to 2[51] Dim. & 3/8[10] to 14[356] Dim.)

SUFFIXES

- _____ -AR Acid Resistant Epoxy Coated
- _____ -C Underdeck Clamp
- _____ -DB Deep Sump Body
- _____ -DE Deck Extension
- _____ -DG Duresist Grate
- _____ -DP TopSet® Deck Plate
- _____ -DR TopSet® Drain Riser
- _____ -DT Decorative Polished Top (ZB and ZN Only)
- _____ -DX Dex-o-tex Flange (ZB and ZN Only)
- _____ -G Galvanized Cast Iron
- _____ -HF High Flow Ductile Iron Grate
- _____ -S Secondary Strainer
- _____ -TC Neo-Loc Test Cap Gasket (2,3,4 [51,76,102] NL Bottom Outlet Only)
- _____ -TS Top Secured With Slotted Screws
- _____ -VP Vandal-Proof Secured Top
- _____ -XJ Vertical Expansion Joint (See Z190)
- _____ -Y Sediment Bucket
- _____ -85 Stainless Steel Perforated Extension
- _____ -90 90° Threaded Side Outlet Body (2,3,4,5,6 [51,76,102,127,152])

* Regularly furnished unless otherwise specified.