



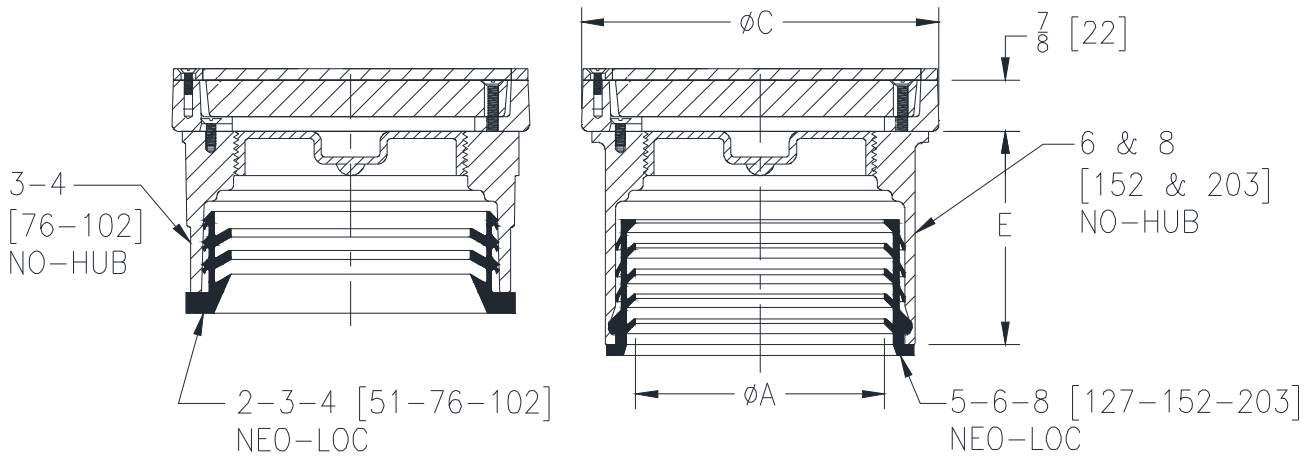
ZB1402-BP-HD

HEAVY-DUTY NON-ADJUSTABLE FLOOR CLEANOUT WITH BRONZE PLUG AND HEAVY-DUTY VENEER TOP

SPECIFICATION SHEET

TAG _____

Dimensional Data (inches and [mm]) are Subject to Manufacturing Tolerances and Change Without Notice



Dimensions In Inches[mm]				Approx. Wt. Lbs. [kg]
A-Pipe Size		C	E	
NL	NH			
2 [51]	3 [76]	4-1/8 [105]	2-3/4 [70]	5 [2]
3 [76]	4 [120]	5-1/8 [130]	2-3/4 [70]	8 [4]
4 [102]	---	6-1/8 [156]	2-3/4 [70]	10 [5]
5 [127]	6 [152]	7-1/4 [184]	3-5/8 [92]	15 [7]
6 [152]	---	8-1/4 [210]	3-5/8 [92]	17 [8]
8 [203]	8 [203]	9-1/4 [235]	3-5/8 [92]	22 [10]

ENGINEERING SPECIFICATION: ZURN ZB1402-BP-HD Tuf-Top non-adjustable floor cleanout with Dura-Coated cast iron body, with bronze tapered thread plug, and round nickel bronze Heavy-Duty cover and frame.

OPTIONS (Check/specify appropriate options)

PIPE SIZE

3, 4, 5, 6, 8 [76, 102, 127, 152, 203]

2, 3, 4, 5, 6, 8 [51, 76, 102, 127, 152, 203]

(Specify size/type) **OUTLET**

_____ NH No-Hub

_____ NL Neo-Loc

'E' BODY HT. DIM.

See Chart

See Chart

PREFIXES

_____ ZB D.C.C.I. with Polished Bronze Light-Duty Top (Deduct 1/2 [13] from 7/8 [22] Dim.)*

_____ ZN D.C.C.I. with Polished Nickel Bronze Light-Duty Top (Deduct 1/2 [13] from 7/8 [22] Dim.)

SUFFIXES

_____ -CM Carpet Marker

_____ -G Galvanized Cast Iron

_____ -TC Neo-Loc Test Cap Gasket
(2,3,4 [51,76,102] NL Bottom Outlet Only)

_____ -T Square Top

_____ -VP Vandal-Proof Screws

* Regularly furnished unless otherwise specified.