



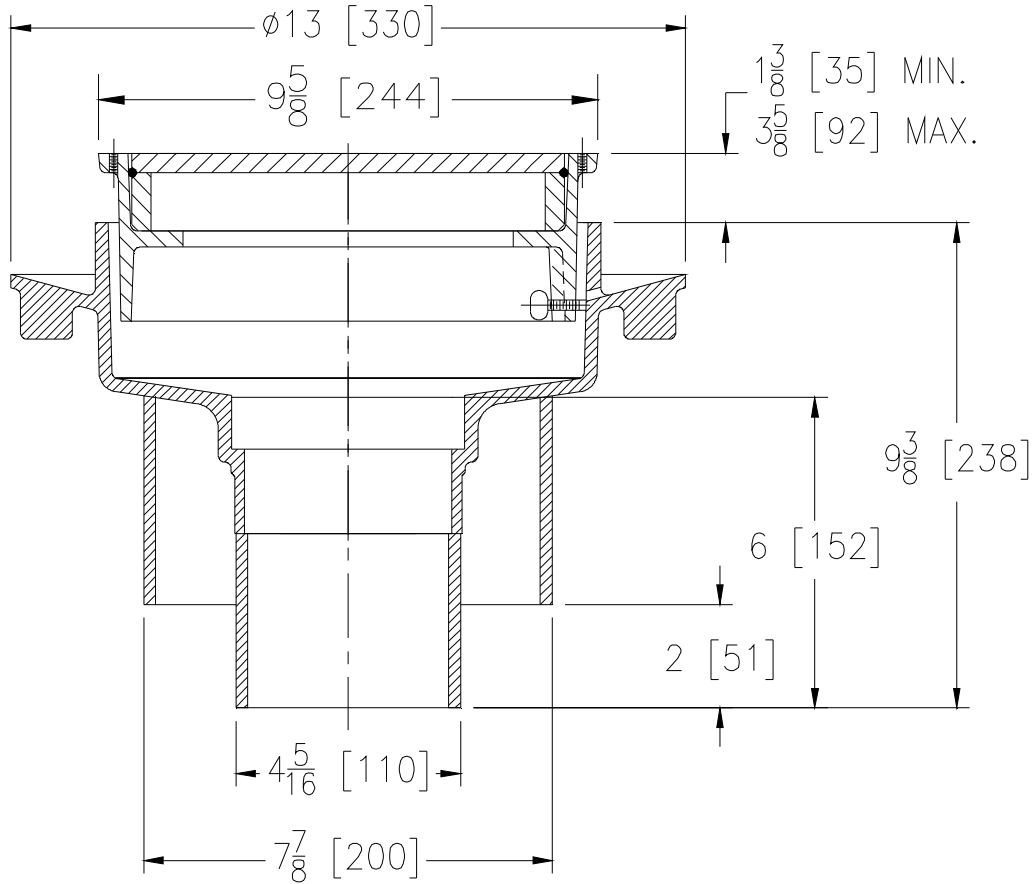
Z1732-95

ADJUSTABLE FLOOR DRAIN WITH NO-LOGO SOLID COVER
AND CUSTOM DUAL CONTAINMENT METRIC OUTLET

SPECIFICATION SHEET

TAG _____

Dimensional Data (inches and [mm]) are Subject to Manufacturing Tolerances and Change Without Notice



Approx. Wt. Lbs. [kg]
40 [18]

ENGINEERING SPECIFICATION: ZURN Z1732-95

All Type 304 (CF8) stainless steel adjustable floor drain with integral anchor flange, adjustable top frame for deep flange no-logo solid cover, with o-ring seal and with plain finish. Body has custom dual containment metric outlet.

OPTIONS (Check/specify appropriate options)

PREFIXES

- ___ Z Type 304 (CF8) Stainless Steel Body*
- ___ ZM Type 316 (CF8M) Stainless Steel Body

SUFFIXES

- ___ -E Frame Extension Over 3-5/8 [92]
- ___ -K Seepage Pan and/or Seepage Holes Only
- ___ -KC Clamp Collar With Seepage Holes
- ___ -SF Satin Finish Top
- ___ -TS Top Secured With Slotted Screws
- ___ -VP Vandal Proof Secured Top
- ___ -Y Sediment Bucket
- ___ -30 Bronze Closure Plug
- ___ -31 Plastic Closure Plug
- ___ -34 Bronze Closure Plug with 3/4 [19] Test Plug

* Regularly furnished unless otherwise specified.