

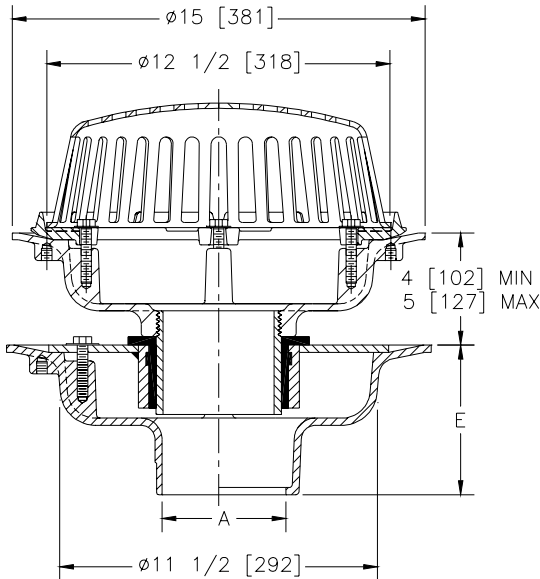


ZC-624-81 ISOLATION DECK DRAIN

SPECIFICATION SHEET

TAG _____

Dimensional Data (inches and [mm]) are Subject to Manufacturing Tolerances and Change Without Notice



A- Pipe Size In.	Approx. Wt. Lbs. [kg]	Dome Open Area Sq. In. [cm ²]
2-3-4 [50-75-100]	49 [22]	103 [664]
5-6 [125-150]		

ENGINEERING SPECIFICATION: ZURN ZC-624-81 Floating slab drain, Dura-Coated cast iron upper and lower bodies. Lower body with clamp collar, neoprene flex gasket, and isolation nipple screwed into upper body. Upper body ZC-100 with combination membrane flashing clamp/gravel guard and low silhouette cast iron dome.

OPTIONS (Check/specify appropriate options)

PIPE SIZE

(Specify size/type) **OUTLET**

'E' BODY HT. DIM.

2 thru 6 [50 thru 150]	_____ IC	Inside Caulk	5 1/4 [133]
2 thru 4, 6 [50 thru 100, 150]	_____ IG	Inside Caulk w/Sealtrol Gskt.	5 1/4 [133]
2 thru 6 [50 thru 150]	_____ IP	Threaded	3 3/4 [95]
2 thru 6 [50 thru 150]	_____ NH	No-Hub	5 1/4 [133]
2 thru 4 [50 thru 100]	_____ NL	Neo-Loc	4 5/8 [117]

PREFIXES

_____ Z-	D.C.C.I. Body with Poly-Dome
_____ ZA-	D.C.C.I. Body with 6 3/4 [171] High Aluminum Dome
_____ ZC-	D.C.C.I. Body with Cast Iron Dome*
_____ ZRB-	D.C.C.I. Body with Plain Bronze Dome

SUFFIXES

_____ -AR	Acid Resistant Epoxy Coated Finish	_____ -SD	Longer Standpipe (Specify Height Required)
_____ -AW	3/4 [19] to 4 [102] Adj. Water Level Regulator	_____ -SS	Stainless Steel Mesh Screen Over Dome
_____ -BS	Bronze Mesh Screen Over Dome	_____ -VP	Vandal Proof Secured Top
_____ -C	Underdeck Clamp (Lower Body)	_____ -W2	2 [51] Internal Water Dam
_____ -DX	Dex-o-tex Flange (Upper Body)	_____ -W3	3 [76] Internal Water Dam
_____ -FG	Flush Grate	_____ -W4	4 [102] Internal Water Dam
_____ -G	Galvanized Cast Iron	_____ -84	Stainless Steel Perforated Gravel Guard
_____ -GD	Galvanized Cast Iron Dome	_____ -85	Stainless Steel Perforated Extension
_____ -HD	6 3/4 [171] High Aluminum Dome (148 Sq. In. [955 cm ²] Open Area)	_____ -89	2 [51] High External Water Dam
_____ -R	Sump Receiver (Lower Body)		

*REGULARLY FURNISHED UNLESS OTHERWISE SPECIFIED

REV. DATE: 5/1/02 C.N. NO. 88479

DWG. NO. P-14893 PRODUCT NO. ZC-624-81

ZURN INDUSTRIES, INC. ♦ SPECIFICATION DRAINAGE OPERATION ♦ 1801 Pittsburgh Ave. ♦ Erie, PA 16514

Phone: 814/455-0921 ♦ Fax: 814/454-7929 ♦ World Wide Web: www.zurn.com

In Canada: ZURN INDUSTRIES LIMITED ♦ 3544 Nashua Drive ♦ Mississauga, Ontario L4V1L2 ♦ Phone: 905/405-8272 Fax: 905/405-1292