



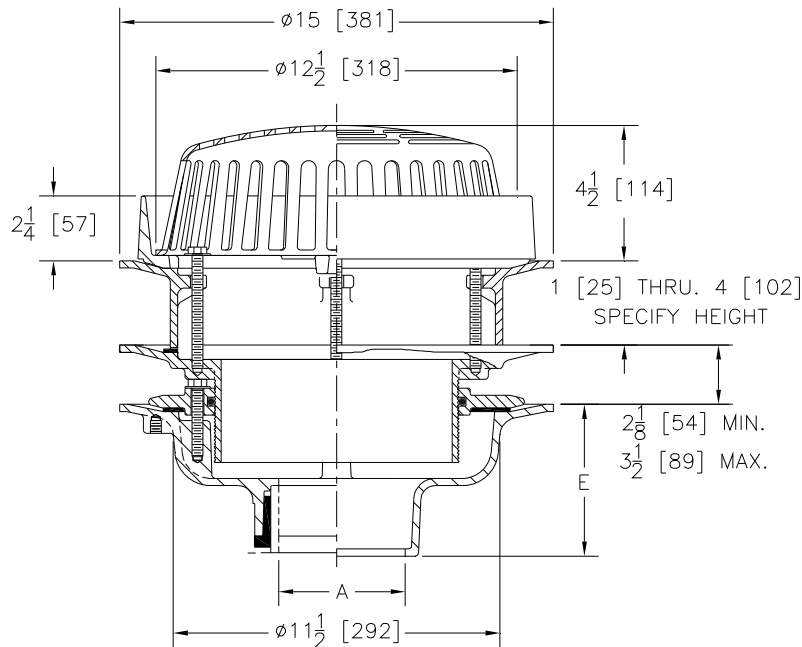
Z100-E-EA-89

15 [381] DIAMETER MAIN ROOF DRAIN W/ STATIC
EXTENSION, ADJUSTABLE EXTENSION, AND 2 [51]
HIGH EXTERNAL WATER DAM

SPECIFICATION SHEET

TAG _____

Dimensional Data (inches and [mm]) are Subject to Manufacturing Tolerances and Change Without Notice



A Pipe Size in [mm]	Approx Wt. lbs [kg]	Dome Open Area in ² [cm ²]
2,3,4 [51,76,102]	28 [13]	103 [665]
6 [152]	29 [13]	
8 [203]	30 [14]	

ENGINEERING SPECIFICATION: ZURN Z100-E-EA-89

15" [381 mm] Diameter roof drain. Dura-Coated cast iron body with clamping collar with o-ring, adjustable extension, secondary clamping collar with 2" [51 mm] high external water dam, static extension, gasket and low silhouette Poly-Dome strainer.

OPTIONS (Check/specify appropriate options)

PIPE SIZE

3,4,6 [76,102,152]
2,3,4,6, 8 [51,76,102,152,203]
2,3,4,6, 8 [51,76,102,152,203]
2,3,4 [51,76,102]
6 [152]

(Specify size/type) OUTLET

_____ IC Inside Caulk
_____ IP Threaded
_____ NH No-Hub
_____ NL Neo-Loc
_____ NL Neo-Loc

E BODY HT. DIM.

5-1/4 [133]
3-3/4 [95]
5-1/4 [133]
4-5/8 [117]
5-7/16 [138]

PREFIXES

_____ Z D.C.C.I. Body with Poly-Dome*
_____ ZA D.C.C.I. Body with Aluminum Dome

_____ ZC D.C.C.I. Body with Cast Iron Dome
_____ ZRB D.C.C.I. Body with Plain Bronze Dome

SUFFIXES

_____ -AC Angular Underdeck Clamp
_____ -AR Acid Resistant Epoxy Coated
_____ -C Underdeck Clamp
_____ -DE Deck Extension (Includes Deck Plate -DP)
_____ -DP Top-Set® Roof Deck Plate
(Replaces both -C and -R)
_____ -DR Top-Set® Drain Riser
_____ -EB Top-Set® Adjustable Extension Assembly
_____ -FG Flush Grate (Replaces Dome Strainer)
_____ -G Galvanized Cast Iron
_____ -HD 6-3/4 [171] High Aluminum Dome
(148 sq. in. [955 cm²] open area)

_____ -R Roof Sump Receiver
_____ -SC Secondary Clamping Collar
_____ -SS Stainless Mesh Screen Over Dome
_____ -ST Dome w/ Solid Top (ZA and ZC Only)
_____ -TC Neo-Loc Test Cap Gasket
(2,3,4 [51,76,102] NL Bottom Outlet Only)
_____ -VP Vandal Proof Secured Top
_____ -84 Stainless Steel Perforated Gravel Guard
_____ -90 90° Threaded Side Outlet Body

* Regularly furnished unless otherwise specified.