



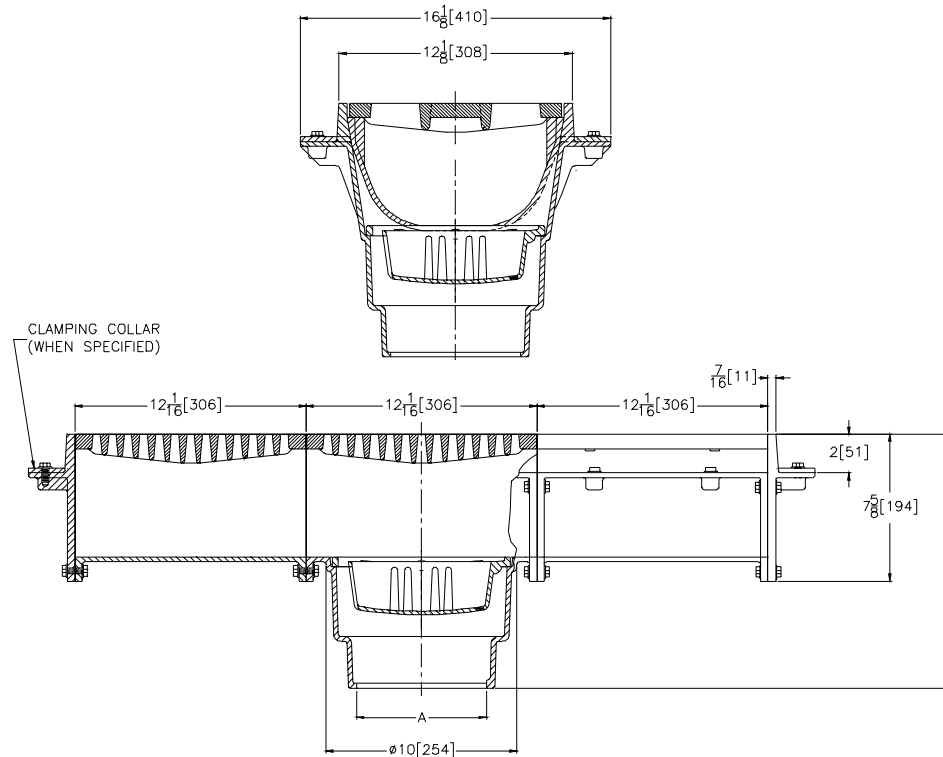
# Z-665-Y

SPECIFICATION SHEET

## 12 [305] WIDE MODULAR TRENCH DRAIN HEAVY DUTY

TAG \_\_\_\_\_

Dimensional Data (inches and [ mm ]) are Subject to Manufacturing Tolerances and Change Without Notice



A- Pipe Size In.	Approx. Wt. Lbs. [kg]	Grate Open Area Sq. In. [cm <sup>2</sup> ]
2-3-4 [50-75-100]	100 [45]	36 [232]
5-6 [125-150]	110 [50]	

**ENGINEERING SPECIFICATION** Z-665-Y 12 [305] Wide top modular trench drain, Dura-Coated cast iron deep sump body with bottom outlet and sediment bucket. Both 12 [305] long outlet module and 12 [305] extension module are complete with integral seepage pan and heavy duty loose slotted grate.

### OPTIONS (Check/specify appropriate options)

PIPE SIZE	(Specify size/type)	OUTLET	'E' BODY HT. DIM.
2 thru 6 [50 thru 150]	_____	IC Inside Caulk	13 3/16 [335]
2 thru 4, 6 [50, 100, 150]	_____	IG Inside Caulk w/Sealtrol Gskt.	13 3/16 [335]
2 thru 4 [50, 100, 150]	_____	NL Neo-Loc	12 1/2 [318]

### PREFIXES

- \_\_\_\_\_ Z- D.C.C.I. Body and Grate\*
- \_\_\_\_\_ ZB- D.C.C.I. Body w/Polished Bronze Top (Add 1/8 [3] to 'E' and 2 [51] Dim.)
- \_\_\_\_\_ ZN- D.C.C.I. Body w/Polished Stainless Steel Top Frame and Grate (Add 1/8 [3] to 'E' and 2 [51] Dim.)

### SUFFIXES

- \_\_\_\_\_ -AR Acid Resisting Epoxy Coated Cast Iron
- \_\_\_\_\_ -C Clamp Collar or Underdeck Clamp
- \_\_\_\_\_ -DB Bottom Dome Strainer
- \_\_\_\_\_ -DG Duresist Grate
- \_\_\_\_\_ -ES Extension Section (See Z-664, Z-665)
- \_\_\_\_\_ -G Galvanized Cast Iron
- \_\_\_\_\_ -HP Heelproof Grate
- \_\_\_\_\_ -M Side Outlet Adapter Via End Plate
- \_\_\_\_\_ -SB Shallow Drain Body
- \_\_\_\_\_ -TS Top Secured With Slotted Screws
- \_\_\_\_\_ -VP Vandal Proof Secured Top

\*REGULARLY FURNISHED UNLESS OTHERWISE SPECIFIED

REV.	DATE: 4/15/98	C.N. NO. 80216
DWG. NO. 62161	PRODUCT NO. Z-665-Y	