



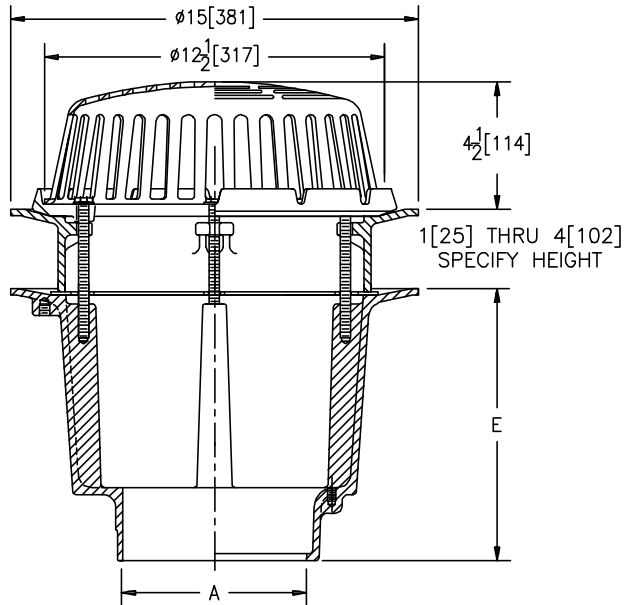
Z104-E

15 [381] DIAMETER DEEP SUMP ROOF DRAIN WITH STATIC EXTENSION

SPECIFICATION SHEET

TAG _____

Dimensional Data (inches and [mm]) are Subject to Manufacturing Tolerances and Change Without Notice



A- Pipe Size In. [mm]	Approx. Wt. Lbs. [kg]	Dome Open Area Sq. In. [cm ²]
3, 4 [76, 102]	46 [21]	103 [665]
6, 8 [152, 203]		

ENGINEERING SPECIFICATION: ZURN Z104-E

15" [381mm] Diameter roof drain. Dura-Coated cast iron deep sump body with combination membrane flashing clamp/gravel guard, static extension and low silhouette Poly-Dome.

OPTIONS (Check/specify appropriate options)

PIPE SIZE

3, 4, 6, 8 [76, 102, 152, 203]
3, 4 [76, 102]

(Specify size/type) **OUTLET**

___ NH No-Hub
___ NL Neo-Loc

'E' BODY HT. DIM.

10 [254]
9-5/16 [237]

PREFIXES

___ Z D.C.C.I. Body with Poly-Dome*
___ ZA D.C.C.I. Body with High Aluminum Dome
___ ZC D.C.C.I. Body with Cast Iron Dome

SUFFIXES

___ -AC	Angular Underdeck Clamp	(148 Sq. In. [955 cm ²] Open Area)
___ -AR	Acid Resistant Epoxy Coated Finish	___ -R
___ -AW	3/4 [19] to 4 [102] Adjustable Water Level Regulator	___ -SC
___ -C	Underdeck Clamp	___ -SS
___ -DX	Dex-o-tex Flange	___ -VP
___ -EA	Adjustable Extension Assembly (2-1/8 [54] thru 3-1/2 [89])	___ -W2
___ -FG	Flush Grate	___ -W3
___ -G	Galvanized Cast Iron	___ -W4
___ -HD	6-3/4 [171] High Aluminum Dome	___ -84
		___ -85
		___ -89

* Regularly furnished unless otherwise specified.

Zurn Industries, LLC | Specification Drainage Operation
1801 Pittsburgh Avenue, Erie, PA U.S.A. 16502 · Ph. 855-663-9876, Fax 814-454-7929
In Canada | Zurn Industries Limited
3544 Nashua Drive, Mississauga, Ontario L4V 1L2 · Ph. 905-405-8272, Fax 905-405-1292
www.zurn.com

Rev. A
Date: 10/02/2017
C.N. No. 138224
Prod. | Dwg. No. Z104-E