



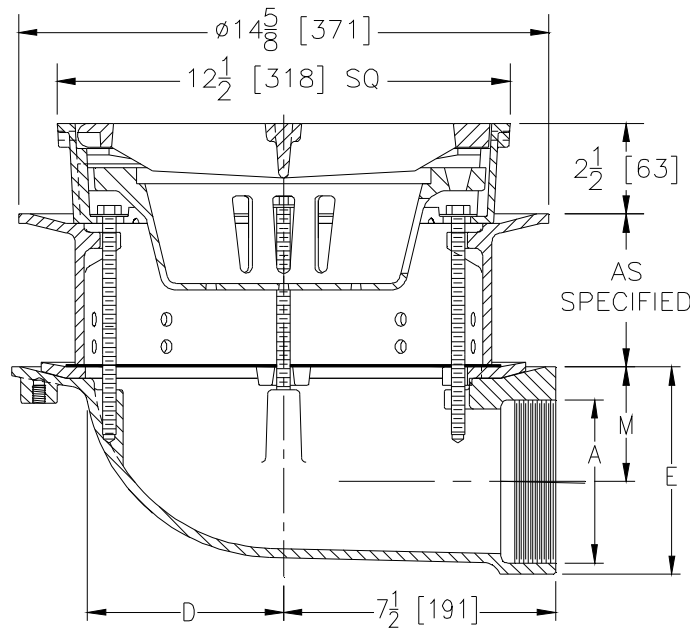
# Z610-134

12 [305] HEAVY-DUTY DRAIN W/EXTENSION, SECONDARY CLAMP COLLAR & SIDE OUTLET

SPECIFICATION SHEET

TAG \_\_\_\_\_

Dimensional Data (inches and [ mm ]) are Subject to Manufacturing Tolerances and Change Without Notice



| Dimensions in Inches [mm] |              |               | Approx. Wt. Lbs. [kg] | Grate Open Area Sq. In. [cm <sup>2</sup> ] |
|---------------------------|--------------|---------------|-----------------------|--|
| A Pipe Size               | D            | M             |                       |  |
| 2 [51]                    | 5-7/16 [138] | 4-1/4 [108]   | 68 [31]               | 42 [271]                                   |
| 3 [76]                    | 5-7/16 [138] | 3-11/16 [94]  | 67 [30]               |  |
| 4 [102]                   | 5-7/16 [138] | 3-3/16 [81]   | 66 [30]               |  |
| 5 [127]                   | 5-1/2 [140]  | 4-13/16 [122] | 78 [35]               |  |
| 6 [152]                   | 5-1/2 [140]  | 4-1/4 [108]   | 77 [35]               |  |

**ENGINEERING SPECIFICATION:** ZURN Z610-134  
 12" [305mm] Square top drain, Dura-Coated cast iron body with side outlet, seepage pan and combination membrane flashing clamp and frame for heavy duty cast iron loose slotted grate, with suspended sediment bucket, static extension, and secondary clamp collar.

**OPTIONS** (Check/specify appropriate options)

**PIPE SIZE**

2, 3, 4 [51 thru 102]  
 5, 6 [127, 152]

(Specify size) **OUTLET**

\_\_\_\_\_ IP Threaded  
 \_\_\_\_\_ IP Threaded

**E BODY HT. DIM.**

5-3/4 [146]  
 7-7/8 [200]

**PREFIXES**

- \_\_\_\_\_ Z D.C.C.I. Body and Grate\*
- \_\_\_\_\_ ZB D.C.C.I. Body with Polished Bronze Top (Add 3/16 [5] to 2 1/2 [63] Dim. and 3/4 [19] to 12 1/2 [317] Dim.)
- \_\_\_\_\_ ZN D.C.C.I. Body with Polished Nickel Bronze Top (Add 3/16 [5] to 2 1/2 [63] Dim. and 3/4 [19] to 12 1/2 [317] Dim.)

**SUFFIXES**

- \_\_\_\_\_ -AR Acid Resistant Epoxy Coated Finish
- \_\_\_\_\_ -DG Duresist Grate
- \_\_\_\_\_ -DS Ductile Iron Solid Cover
- \_\_\_\_\_ -DX Dex-o-tex Flange
- \_\_\_\_\_ -G Galvanized Cast Iron
- \_\_\_\_\_ -H Hinged Grate
- \_\_\_\_\_ -HL Hinged Locking Grate
- \_\_\_\_\_ -LY (Less) Sediment Bucket
- \_\_\_\_\_ -P Trap Primer Connection
- \_\_\_\_\_ -S Secondary Strainer
- \_\_\_\_\_ -SC Solid Cover
- \_\_\_\_\_ -SS Stainless Steel Mesh Liner For Bucket
- \_\_\_\_\_ -TS Top Secured with Slotted Screws
- \_\_\_\_\_ -V Backwater Valve (See Z1099)
- \_\_\_\_\_ -VP Vandal-Proof Secured Top
- \_\_\_\_\_ -YA Aluminum Sediment Bucket

\* Regularly furnished unless otherwise specified.