



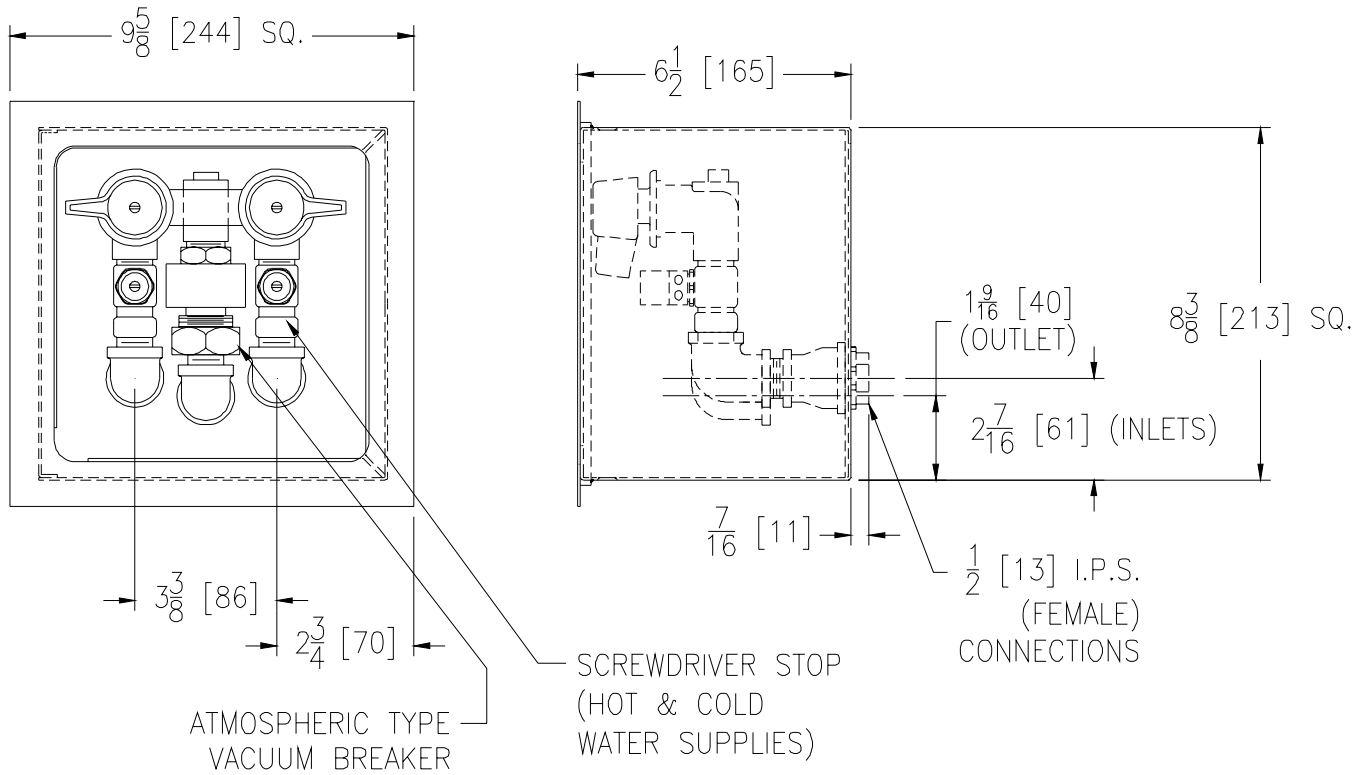
# Z1464-77

## WATER SUPPLY CONTROL BOX ASSEMBLY

SPECIFICATION SHEET

TAG \_\_\_\_\_

Dimensional Data (inches and [ mm ]) are Subject to Manufacturing Tolerances and Change Without Notice



A-Opening Size Inches	Approx. Wt. Lbs. [kg]
8 1/2 x 8 1/2 [216 x 216]	17 [8]

**ENGINEERING SPECIFICATION:** ZURN ZS1464-77 Water supply control box assembly, 18-8 type 304 stainless steel with cylinder lock and hinged cover, bronze control valves, screwdriver stops, atmospheric type vacuum breaker, with back inlet and outlet connections.

**OPTIONS** (Check/specify appropriate options)

**OPENING SIZE**                      **DEPTH**  
 8 1/2 [216] Sq.                      6 1/2 [165]

**PREFIXES**  
 \_\_\_\_\_ ZS    Type 304 Stainless Steel\*

**SUFFIXES**  
 \_\_\_\_\_ -LM    Less Internal Mixing Valve Assembly

REV.	DATE: 3/24/03	C.N. NO. 90328
DWG. NO. P-14974    PRODUCT NO. Z1464-77		

\*REGULARLY FURNISHED UNLESS OTHERWISE SPECIFIED