



# ZA880-300B-KC

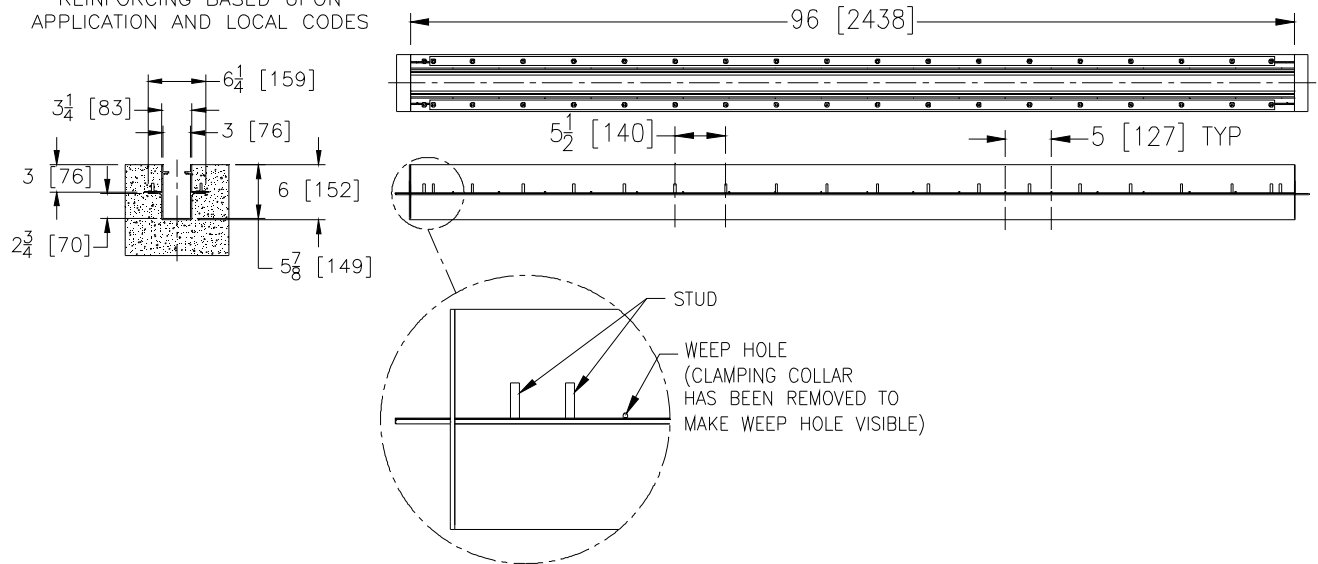
SPECIFICATION SHEET

## 3 [76] WIDE REVEAL TRENCH DRAIN SYSTEM WITH CLAMPING COLLAR AND PAN

TAG \_\_\_\_\_

Dimensional Data (inches and [ mm ]) are Subject to Manufacturing Tolerances and Change Without Notice

SPECIFYING ENGINEER IS RESPONSIBLE FOR CONCRETE ENCASEMENT AND REINFORCING BASED UPON APPLICATION AND LOCAL CODES



### ENGINEERING SPECIFICATION: Zurn ZA880-300B-KC

Channels are 96 [2438] long, 3-1/4 [82] wide reveal, 3 [76] throat, and have a 5-7/8 [149] invert, with Clamping Collar and Pan. Modular channel sections are made of 0% water absorbent Aluminum Alloy T-6063T5. Channels have a positive mechanical connection between each section that will not separate during the installation. Channels weigh less than 2 lbs. [.91kg] per linear foot, have a Manning's coefficient of .002, and a neutral 0% built in slope. Channels have 1-1/2 [38] wide flange on both sides to mechanically lock into the concrete surround. Channels are provided with standard BZ Bronze Decorative grates that do not lock down and are not intended for dynamic traffic loadings. Zurn 3-1/4 [82] wide reveal Bronze Decorative Grate conforms to ASTM specification B584 Copper Alloy No. 844. Decorative Bronze grate is rated class A per the DIN EN1433 top load classifications. Supplied in 24 [610] sections with 3/4 [19] bearing depth. Grate has an open area of 7.59 sq. in per ft. [16,075 sq. mm per meter]. Trench is anodized after extrusion to match grate color. Trench and grate are produced in the U.S.A.

### PREFIX OPTIONS (Check/specify appropriate options)

Z Eight-foot, Extruded Aluminum \*

### SUFFIX OPTIONS (Check/specify appropriate options)

#### Outlet Adapters Add/Each

- E1 Closed End Cap
- U1.5 1-1/2 [38] No-Hub Bottom Outlet

#### Grate Options (Load Classifications are per DIN EN1433)

- AWG Aluminum Wire Grate - Class A
- AZ Aluminum Decorative Grate - Class A
- BZ Bronze Decorative Grate - Class A
- DOG Ductile Decorative Grate - Class A (Non Domestic)
- NBZ Nickel Bronze Decorative Grate - Class A



MADE IN THE USA

\*REGULARLY FURNISHED UNLESS OTHERWISE SPECIFIED

REV. B	DATE: 12/09/11	C.N. NO. 122528
DWG. NO. 306540	PRODUCT NO. ZA880-300B-KC	