



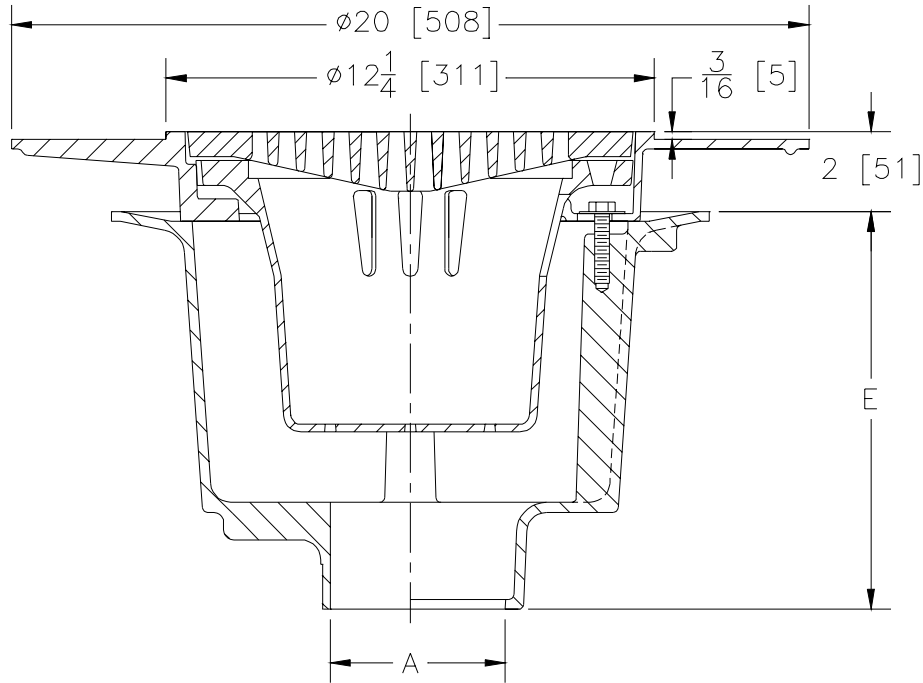
Z-539-84

12" [305] HEAVY DUTY DRAIN WITH DEEP SUMP

SPECIFICATION SHEET

TAG _____

Dimensional Data (inches and [mm]) are Subject to Manufacturing Tolerances and Change Without Notice



A- Pipe Size In.	Approx. Wt. Lbs. [kg]	Grate Open Area Sq. In. [cm ²]
3-4-5-6 [75-100-125-150]	68 [31]	30 [194]
8 [200]		

ENGINEERING SPECIFICATION: ZURN Z-539-84 12 [305] Diameter top drain. Dura-Coated cast iron deep sump body with bottom outlet, seepage pan and combination membrane flashing clamp and frame with dex-o-tex flange for sediment bucket and heavy duty slotted grate.

OPTIONS (Check/specify appropriate options)

PIPE SIZE

- 3 thru 6 [75 thru 150]
- 3 thru 6 [75 thru 150]
- 3 thru 6, 8 [75 thru 150, 200]

(Specify size/type) **OUTLET**

- _____ IC Inside Caulk
- _____ IG Inside Caulk w/Sealtrol Gskt.
- _____ NH No-Hub

'E' BODY HT. DIM.

- 10 [254]
- 10 [254]
- 10 [254]

PREFIXES

- _____ Z- D.C.C.I. Body and Grate*
- _____ ZB- D.C.C.I. Body with Polished Bronze Grate (Add 3/16 [5] to 2 [51] Dim.)
- _____ ZN- D.C.C.I. Body with Polished Nickel Bronze Grate (Add 3/16 [5] to 2 [51] Dim.)

SUFFIXES

- _____ -DG Duresist Grate
- _____ -FY Free Standing Bucket
- _____ -G Galvanized Cast Iron
- _____ -VP Vandal Proof Secured Top

REV.	DATE: 12/15/98	C.N. NO. 81921
DWG. NO. P-14687 PRODUCT NO. Z-539-84		

*REGULARLY FURNISHED UNLESS OTHERWISE SPECIFIED