

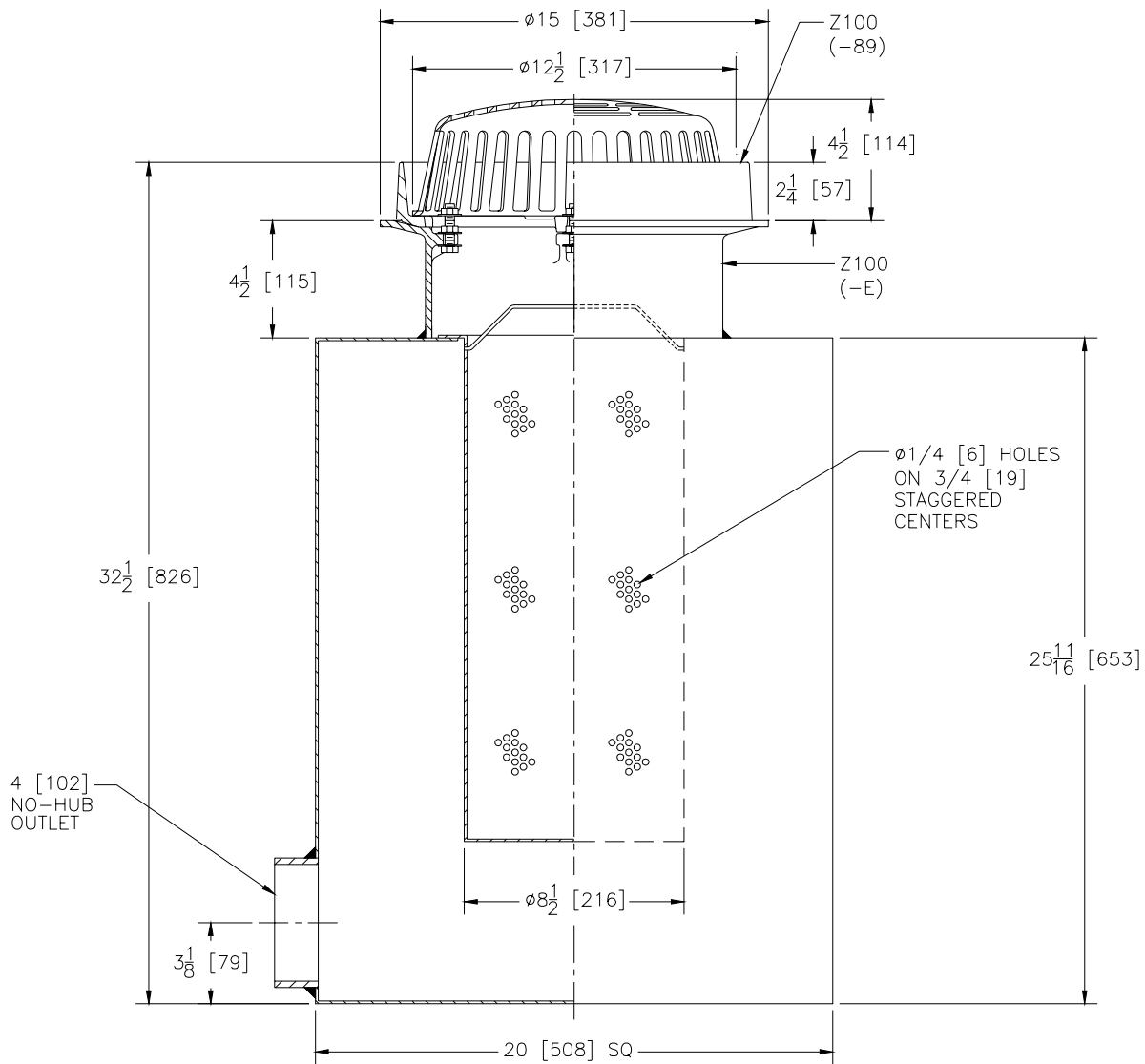


# Z1185-94 LAUNDRY TRENCH DRAIN

SPECIFICATION SHEET

TAG \_\_\_\_\_

Dimensional Data (inches and [ mm ]) are Subject to Manufacturing Tolerances and Change Without Notice



**ENGINEERING SPECIFICATION:** ZURN Z1185-94 Laundry trench drain. All Dura-Coated steel fabricated body, cast iron extension, combination membrane flashing clamp/external water dam, low silhouette Poly-Dome, and stainless steel removable mesh lint/sediment bucket.

**OPTIONS** (Check/specify appropriate options)

**PREFIXES**

\_\_\_\_\_ Z Dura-Coated Steel Body

REV.	DATE: 9/24/03	C.N. NO. 91321
DWG. NO. P-15012 PRODUCT NO. Z1185-94		