



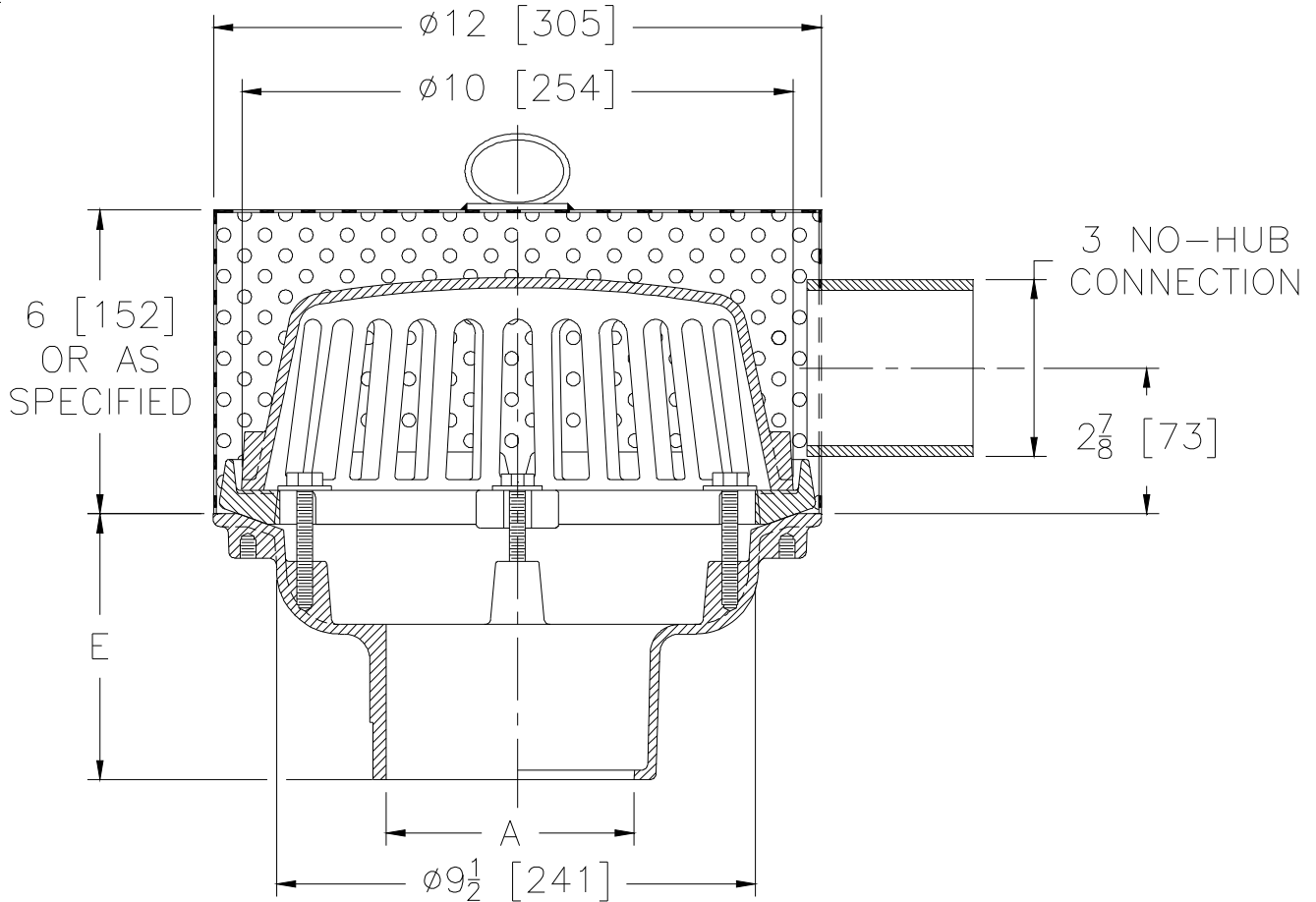
Z348-86

Ø12 [305] DOME TYPE PIT DRAIN W/ PERFORATED STAINLESS STEEL SIDE INLET COVER W/ LIFTING RING

SPECIFICATION SHEET

TAG _____

Dimensional Data (inches and [mm]) are Subject to Manufacturing Tolerances and Change Without Notice



A-Pipe Size Inches	Approx. Wt. Lbs. [kg]	Dome Open Area Sq. In. [cm ²]
2-3-4-6 [51-76-102-152]	23 [10]	78 [503]

ENGINEERING SPECIFICATION: ZURN Z348-86

Dome type pit drain, Acid Resistant Epoxy Coated cast iron body with bottom outlet complete with combination membrane flashing clamp/ gravel guard, low silhouette dome and perforated stainless steel side inlet cover with lifting ring.

OPTIONS (Check/specify appropriate options)

PIPE SIZE

2-3-4-6 [51-76-102-152]
2-3-4-6 [51-76-102-152]
2-3-4-6 [51-76-102-152]
2-3-4-6 [51-76-102-152]
2-3-4 [51-76-102]

(Specify size/type) OUTLET

___ IC Inside Caulk
___ IG Inside Caulk w/Sealtrol Gskt.
___ IP Threaded
___ NH No-Hub
___ NL Neo-Loc

'E' BODY HT. DIM.

5-1/4 [133]
5-1/4 [133]
3-3/4 [95]
5-1/4 [133]
4-5/8 [117]

PREFIXES

___ Z A.R.C. Body, Clamping Collar and Dome*

SUFFIXES

___ -TC Neo-Loc Test Cap Gasket
(2-4 [51-102] NL Bottom Outlet Only)

*REGULARLY FURNISHED UNLESS OTHERWISE SPECIFIED

REV.	DATE: 05/01/12	C.N. NO. 124202
DWG. NO. 309610	PRODUCT NO. Z348-86	

ZURN INDUSTRIES, LLC. ♦ SPECIFICATION DRAINAGE OPERATION ♦ 1801 Pittsburgh Ave. ♦ Erie, PA 16514

Phone: 814/455-0921 ♦ Fax: 814/454-7929 ♦ World Wide Web: www.zurn.com

In Canada: ZURN INDUSTRIES LIMITED ♦ 3544 Nashua Drive ♦ Mississauga, Ontario L4V1L2 ♦ Phone: 905/405-8272 Fax: 905/405-1292