



Z1370-78

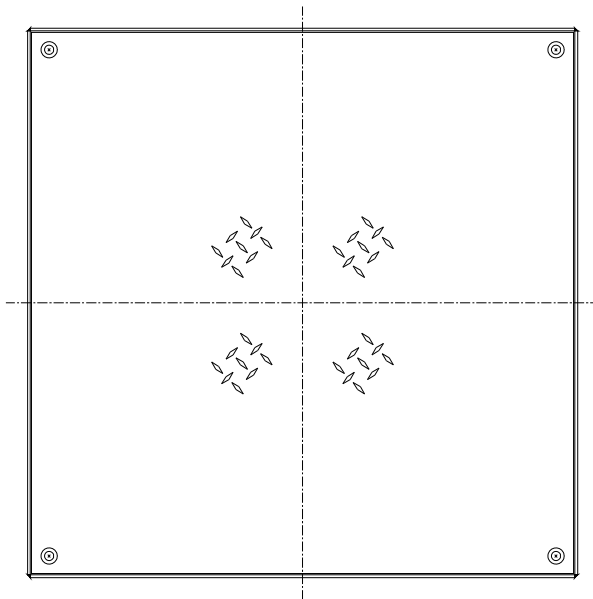
GROUND HYDRANT

Encased, Hose Storage, Non-Freeze

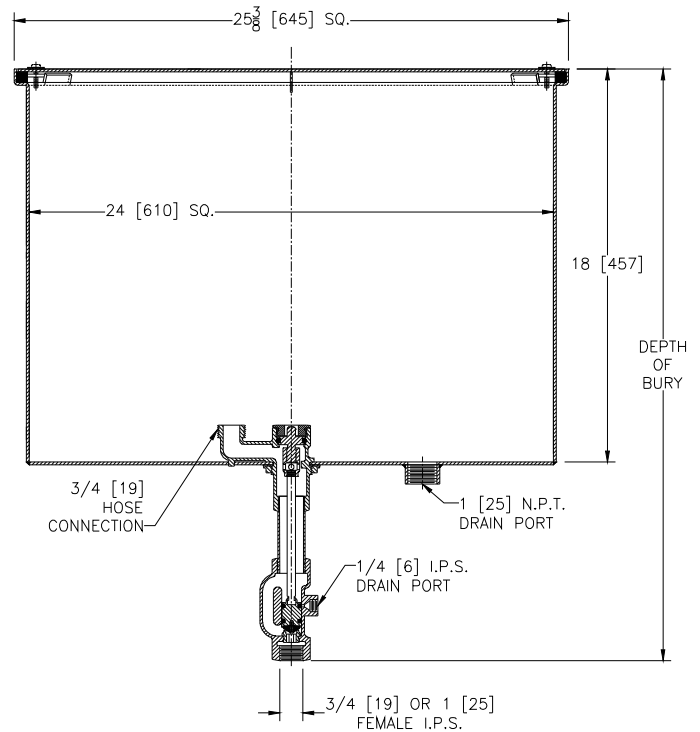
SPECIFICATION SHEET

TAG _____

Dimensional Data (inches and [mm]) are Subject to Manufacturing Tolerances and Change Without Notice



TOPVIEW



| Depth of Bury [mm] | Approx. Wt. Lbs. [kg] |
|--------------------|-----------------------|
| 33 7/8 [860] | 81 [37] |
| 45 7/8 [1165] | 85 [39] |
| 57 7/8 [1470] | 89 [40] |
| 69 7/8 [1775] | 93 [42] |
| 81 7/8 [2080] | 97 [44] |
| 93 7/8 [2384] | 101 [46] |
| 105 7/8 [2689] | 105 [48] |
| 117 7/8 [2994] | 109 [49] |
| 129 7/8 [3299] | 113 [51] |

ENGINEERING SPECIFICATION: ZURNZ1370-78

Encased, non-freeze ground hydrant, for flush with grade or finished floor installation. Complete with galvanized steel casing, all bronze interior parts, bronze seat and replaceable seat washer, and non-turning operating rod with free-floating compression closure valve. Acid resistant coated fabricated steel box provides hose storage and is complete with secured, gasketed scoriated aluminum cover. Hydrant is equipped with a tapped 1 [25] drain port in closure box and 1/4 [6] drain port in valve housing. (Hose should always be disconnected for storage.)

Note:

- IMPORTANT** Hydrant must be opened one turn to seal drain port during use.

OPTIONS (Check/specify appropriate options)

SUFFIXES

- ____ -BC Bronze Casing
- ____ -RK Hydrant Parts Repair Kit

PARTS LIST

| Item | Name | Quan. |
|------|--------------------|-------|
| 5 | Operating Screw | 1 |
| 6 | O-Ring | 1 |
| 7 | Operating Coupling | 1 |
| 8 | Operating Rod | 1 |
| 9 | Washer Guide | 1 |
| 10 | Washer (neoprene) | 1 |
| 11 | Screw | 1 |
| 17 | O-Ring | 2 |
| 18 | Removable Seat | 1 |

REV. A DATE: 05/05/08 C.N. NO. 98450

DWG. NO. P-15202 PRODUCT NO. Z1370-78

*WHEN ORDERING REPLACEMENT PARTS SPECIFY Y DIM.

ZURN INDUSTRIES, LLC. ♦ SPECIFICATION DRAINAGE OPERATION ♦ 1801 Pittsburgh Ave. ♦ Erie, PA 16514

Phone: 814/455-0921 ♦ Fax: 814/454-7929 ♦ World Wide Web: www.zurn.com

In Canada: ZURN INDUSTRIES LIMITED ♦ 3544 Nashua Drive ♦ Mississauga, Ontario L4V1L2 ♦ Phone: 905/405-8272 Fax: 905/405-1292