



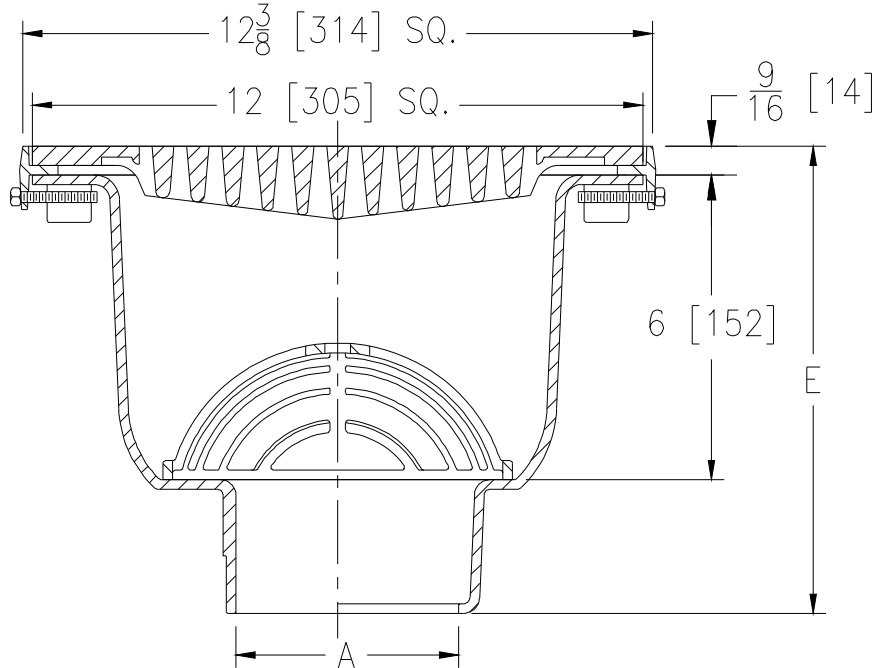
ZS1900-HD

12-3/8 x 12-3/8 [314 x 314] A.R.E. SANI-FLOR RECEPTOR
W/ 6 [152] SUMP DEPTH & STAINLESS STEEL FRAME &
EXTRA HEAVY-DUTY STAINLESS STEEL GRATE

SPECIFICATION SHEET

TAG _____

Dimensional Data (inches and [mm]) are Subject to Manufacturing Tolerances and Change Without Notice



A Pipe Size In. [mm]	Approx Wt. Lbs.[kg]	Grate Open Area Sq. In. [cm ²]
2,3,4 [51,76,102]	32 [15]	22 [142]

ENGINEERING SPECIFICATION: ZURN ZS1900-HD

Sani-Flor Receptor 12-3/8" x 12-3/8" x 6" [314mm x 314mm x 152mm] deep cast iron body with white acid resisting porcelain enamel interior, black ground enamel exterior coating, stainless steel frame with extra heavy-duty stainless steel grate complete with white ABS anti-splash interior bottom dome strainer.

OPTIONS (Check/specify appropriate options)

PIPE SIZE

3,4 [76,102]
2,3,4 [51,76,102]
2,3,4 [51,76,102]

(Specify size/type) OUTLET

___ IC Inside Caulk
___ NH No-Hub
___ NL Neo-Loc

'E' BODY HT. DIM.

9-1/8 [232]
9-1/8 [232]
8-1/2 [216]

PREFIXES

___ ZS Cast Iron Body w/ White A.R.E. Interior, 12-3/8 [314] Square Stainless Steel Frame & Full Grate with 1/4 [6] Slotted Openings*

SUFFIXES

___ -K Anchor Flange with Seepage Holes	___ -3 3/4 Grate
___ -KC Anchor Flange with Seepage Holes and Clamp Collar	___ -4 Full-Grate with 3-1/2 [77] Square Center Opening
___ -LD Less Bottom Dome Strainer	___ -11 Vandal-Proof Secured Top
___ -P 1/2 [13] Trap Primer Connection (See Z1023)	___ -23 Aluminum Bucket
___ -SA Stabilizer Assembly (See Z1903)	___ -25 White A.R.C. Bucket
___ -TC Neo-Loc Test Cap Gasket	___ -31 Stainless Steel Mesh Liner for Bucket
___ -TC Neo-Loc Test Cap Gasket (2,3,4 [51,76,102] NL Bottom Outlet Only)	___ -32 Aluminum Dome Strainer
___ -VPS Vandal-Proof Strainer	___ -33 White A.R.C. Anti-Splash Bottom Dome Strainer
___ -2 1/2 Grate	

* Regularly furnished unless otherwise specified.

Zurn Industries, LLC | Specification Drainage Operation
1801 Pittsburgh Avenue, Erie, PA U.S.A. 16502 · Ph. 855-663-9876, Fax 814-454-7929
In Canada | Zurn Industries Limited
3544 Nashua Drive, Mississauga, Ontario L4V 1L2 · Ph. 905-405-8272, Fax 905-405-1292
www.zurn.com

Rev. C
Date: 10/12/17
C.N. No. 138704
Prod. | Dwg. No. ZS1900-HD