



ZCF121-DP

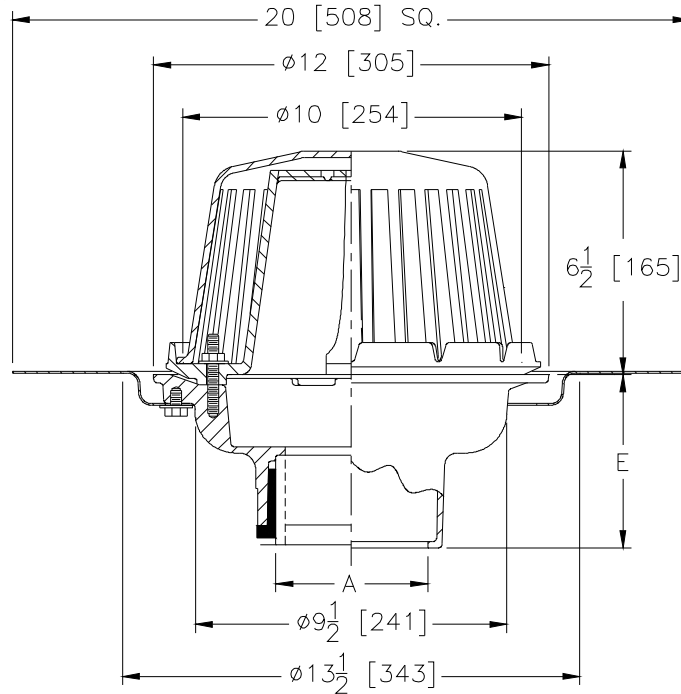
Ø12 [305] ROOF DRAIN
W/ TOP-SET® DECK PLATE

SPECIFICATION SHEET

TAG _____



Dimensional Data (inches and [mm]) are Subject to Manufacturing Tolerances and Change Without Notice



A	Approx. Wt.	Dome
Pipe Size		Open Area
Inches / [mm]	Lbs. / [kg]	Sq. In. / [sq cm]
2-3-4 [51-76-102]	22 [10]	78 [503]
6 [152]		

ENGINEERING SPECIFICATION: ZURNZCF121-DP

12 [305] diameter "Control-Flo" roof drain for dead-level roof construction, Dura-Coated cast iron body. "Control-Flo" weir shall be linear functioning with integral membrane flashing clamp/gravel guard, Top-Set® deck plate and Poly-Dome. All data shall be verified proportional to flow rates.

OPTIONS (Check/specify appropriate options)

PIPE SIZE

- 2 thru 6 [51 thru 152]
- 2 thru 6 [51 thru 152]
- 2 thru 6 [51 thru 152]
- 2 - 3 - 4 [51 - 76 - 102]

(Specify size/type) **OUTLET**

- _____ IC Inside Caulk
- _____ IP Threaded
- _____ NH No-Hub
- _____ NL Neo-Loc

E BODY HT. DIM.

- 5-1/4 [133]
- 3-3/4 [95]
- 5-1/4 [133]
- 4-5/8 [117]

PREFIXES

- _____ Z D.C.C.I. Body with Poly-Dome*
- _____ ZA D.C.C.I. Body with Aluminum Dome

SUFFIXES

- _____ -A Waterproof Flange
- _____ -AR Acid Resistant Epoxy Coated Finish
- _____ -DR Adjustable Drain Riser Extension Assembly
3-5/8 [92] to 7-1/4 [184]
- _____ -E Static Extension 1 [25] thru 4 [102] (Specify Ht.)
- _____ -EB Elevating Body Plate
- _____ -G Galvanized Cast Iron
- _____ -SC Secondary Clamp Collar
- _____ -TC Neo-LocTest CapGasket
(2 [51] to 4 [102] NL Bottom Outlet Only)
- _____ -VP Vandal-Proof Secured Top
- _____ -90 90° Threaded Side Outlet Body
(2 [51] thru 4 [102])

*REGULARLY FURNISHED UNLESS OTHERWISE SPECIFIED

REV. B	DATE: 07/19/12	C.N. NO. 124586
DWG. NO. 63881	PRODUCT NO. ZCF121-DP	