



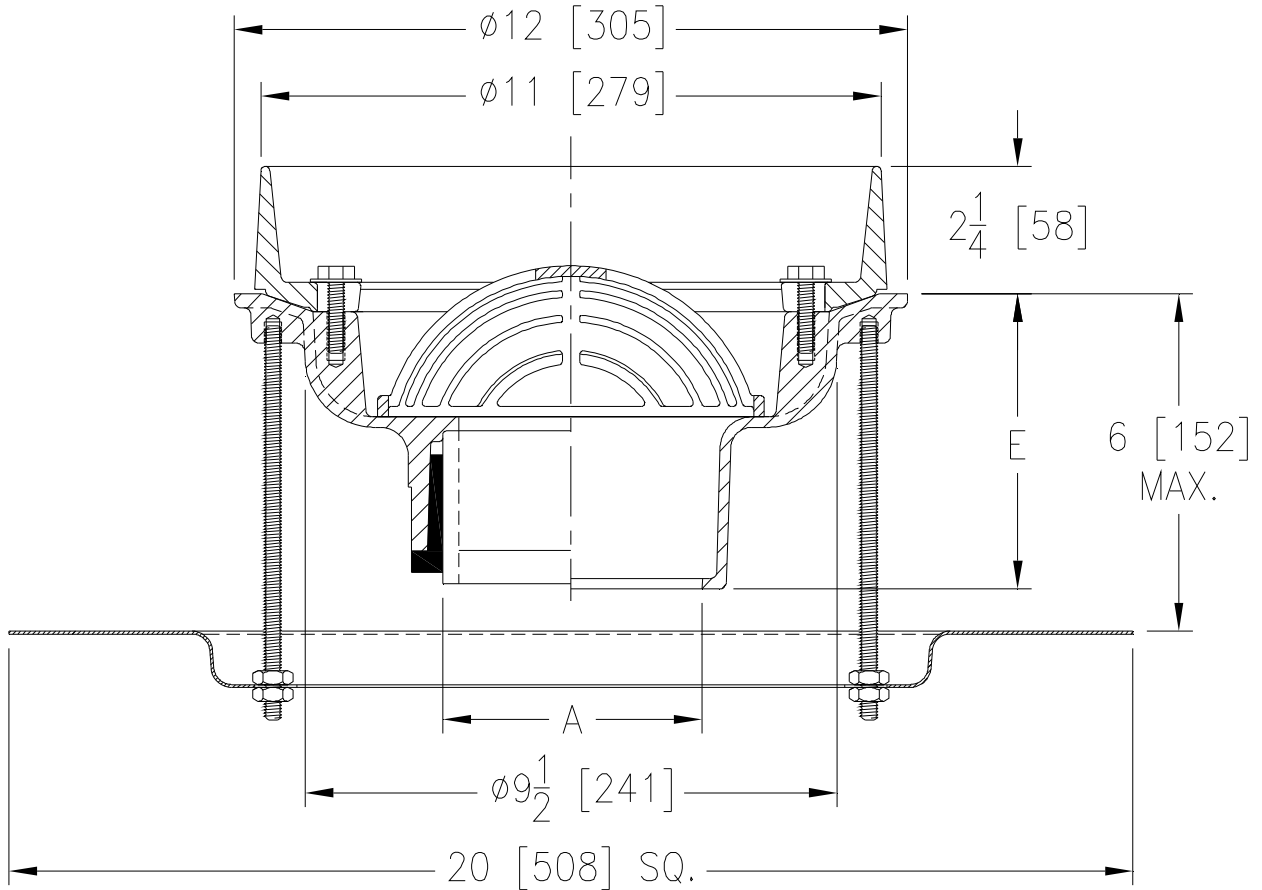
# Z122-EB

12 [305] DIAMETER DECK RECEPTOR DRAIN W/ TOP-SET® ADJUSTABLE EXTENSION ASSEMBLY

SPECIFICATION SHEET

TAG \_\_\_\_\_

Dimensional Data (inches and [ mm ]) are Subject to Manufacturing Tolerances and Change Without Notice



A Pipe Size In.[mm]	Approx. Wt. Lbs. [kg]
2,3,4,6 [51,76,102,152]	29 [13]

**ENGINEERING SPECIFICATION: ZURN Z122-EB**

12" [305mm] Diameter deck receptor drain, Dura-Coated cast iron body with combination membrane flashing clamp/deck receptor frame, internal dome strainer, and Top-Set® adjustable extension assembly.

**OPTIONS** (Check/specify appropriate options)

**PIPE SIZE**

2, 3, 4, 6 [51, 76, 102, 152]  
2, 3, 4 [51, 76, 102]

(Specify size/type) **OUTLET**

\_\_\_\_\_ NH No-Hub  
\_\_\_\_\_ NL Neo-Loc

**E BODY HT. DIM.**

5-1/4 [133]  
4-5/8 [117]

**PREFIXES**

\_\_\_ Z D.C.C.I. Body with Collar\*

**SUFFIXES**

- \_\_\_ -AR Acid Resistant Epoxy Coated
- \_\_\_ -E High Static Extension 1 [25] thru 4 [102] (Specify Ht.)
- \_\_\_ -G Galvanized Cast Iron
- \_\_\_ -HD High Dome
- \_\_\_ -TC Neo-Loc Test Cap Gasket (2,3,4 [51,76,102] NL Bottom Outlet Only)

\* Regularly furnished unless otherwise specified.