



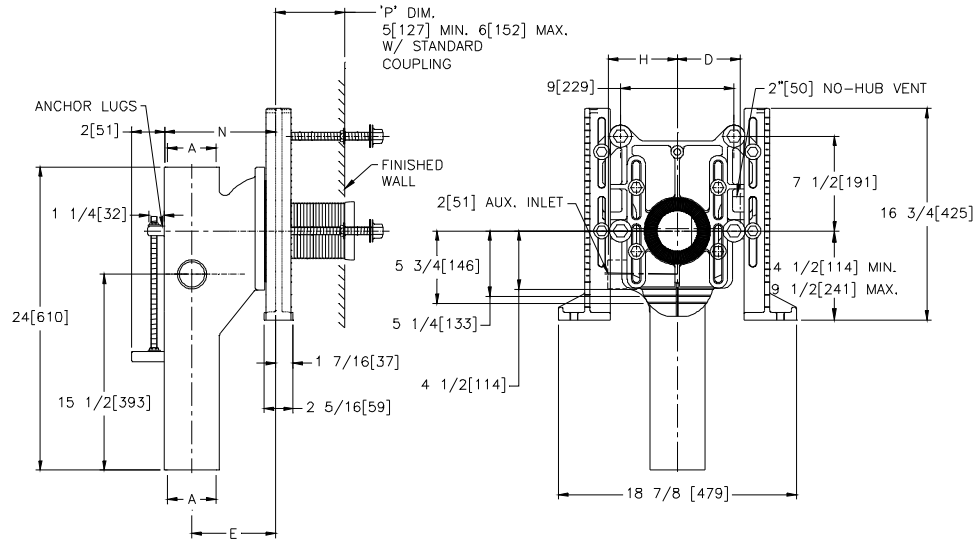
Z1204-N4-JL

ADJUSTABLE VERTICAL SIPHON JET-NO-HUB W/ 2 [51] LEFT HAND AUXILIARY INLET

SPECIFICATION SHEET

TAG _____

Dimensional Data (inches and [mm]) are Subject to Manufacturing Tolerances and Change Without Notice



Note:

1. Min. 'P' Dim. Obtainable=2[51]
2. 2 No-Hub vent connection regularly furnished on right hand side. Left hand available when specified (Suffix- VL)
3. Auxiliary inlet available right (-JR) or both sides (-JJ) when specified.
4. Feet bolted to floor using min. 1/2 [13] dia. bolts and back slots on carrier feet.
5. Back anchor foot required for secure installation.

Product No.	Dimensions In Inches					Approx. Wt.Lbs. [kg]
	A	D	E	H	N	
Z1204-N4-JL	4[102]	5[127]	6 5/8[168]	5 1/2[140]	8 7/8[225]	80[36]
Z1204-N5-JL	5[127]	5 1/2[140]	6 5/8[168]	6 1/2[165]	9 3/8[238]	85[39]
Z1204-N6-JL	6[152]	6[152]	7 1/8[181]	6 1/2[165]	10 3/8[264]	95[43]

ENGINEERING SPECIFICATION: ZURNZ-1204-N4-JL Adjustable, vertical siphon jet water closet "Rigid System" with () size No-Hub connections and () side inlets. Complete with Dura-Coated cast iron main fitting, with 2 [51] left hand auxiliary inlet and 2 [51] vent, adjustable gasketed faceplate, universal floor mounted foot supports, corrosion resistant adjustable ABS coupling with integral test cap, fixture bolts, trim, and stud protectors. Rear anchor tie down and bonded "Neo-Seal" gasket.

UCT/DEFINITION

_____ Z1204-N-JL No-Hub Stack, Single Inlet, 2 [51] Right Hand Vent

PREFIXES

- _____ Z D.C.C.I. System with Zurn "ZZ" Adjustable Coupling*
- _____ ZC D.C.C.I. System with Compression Fit Faceplate
- _____ ZF D.C.C.I. System with Non-Adjustable One Piece Carrier
- _____ ZQ D.C.C.I. System with NPT Faceplate, Non-Adjustable Coupling

SUFFIXES

- _____ -A Auxiliary Support Assembly (For P-Dim. greater than 18 [457])
- _____ -B Blowout Type Fixture Support
- _____ -BC Back Cleanout
- _____ -CC Corrosion Resistant Cast Iron Coupling (6 [152] to 12 [305])
- _____ -CL Coupling Length Greater than 12 [305] (Specify length Required)
- _____ -F Floor Mounted, Back Outlet Fixture Support
- _____ -G Galvanized Cast Iron
- _____ -M Auxiliary Foot Support (For P-Dim. 10 [254] to 18 [457])
- _____ -VL Left Hand Vent Connection
- _____ -VP Vandal Proof Trim
- _____ -X Heavy-Duty 500lb. [341 kg] Carrier Rear Anchor Tie down.
- _____ -XB Bariatric 1000 lb [454 kg] Carrier
- _____ -XH Extra-Heavy-Duty 750-Lb. [227 kg.] Carrier
- _____ -XI 2 [51] Integral Foot Extension
- _____ -X3 3" [76] Foot Extension Assembly
- _____ -X4 4" [102] Foot Extension Assembly
- _____ -29 Mechanical Test Cap Assembly
- _____ -45 Finishing Frame for Siphon Jet System (For Blowout System specify -45-B)
- _____ -50 Flush Valve Supply Support for W.C.
- _____ -61 "ZZ" Coupling Wrench

*REGULARLY FURNISHED UNLESS OTHERWISE SPECIFIED

REV. A	DATE: 02/26/10	C.N. NO. 110768
DWG. NO. 65992	PRODUCT NO. Z1204-N4-JL	