



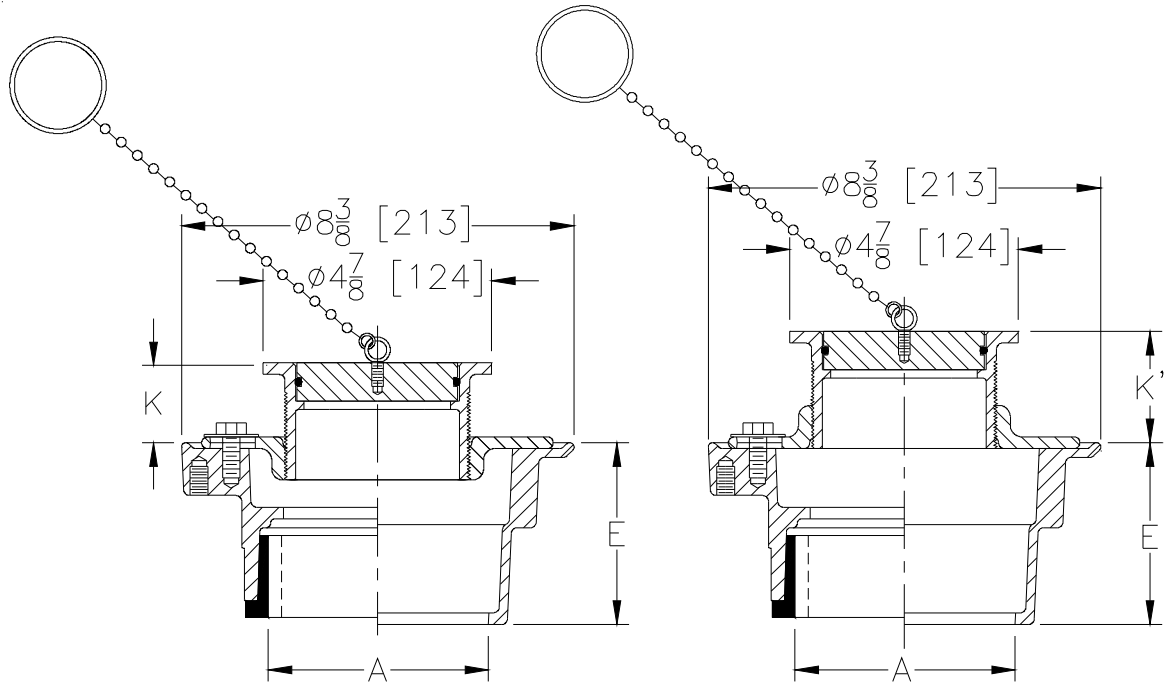
Z415P-76

BODY ASSEMBLY W/ "TYPE P" ADJUSTABLE HEAD WITH O-RING SEAL PLUG AND CHAIN

SPECIFICATION SHEET

TAG _____

Dimensional Data (inches and [mm]) are Subject to Manufacturing Tolerances and Change Without Notice



Dimensions In Inches					Approx. Wt. Lbs. [kg]
A - Pipe Size	K		K'		
	Min.	Max.	Min.	Max.	
2-3-4 [51-76-102]	7/8 [22]	2 1/8 [54]	1 7/8 [48]	3 [76]	15 [7]

ENGINEERING SPECIFICATION: ZURN Z415P-76 Floor and shower drain, Dura-Coated cast iron body with bottom outlet, combination invertible membrane clamp and adjustable collar with polished nickel bronze head, stainless steel plug with o-ring seal and chain.

OPTIONS (Check/specify appropriate options)

PIPE SIZE	(Specify size/type)	OUTLET	'E' BODY HT. DIM.
2 thru 4 [50 thru 100]	_____	IC Inside Caulk	3 7/8 [98]
2 [50]	_____	IP Threaded	2 3/8 [60]
3 [75]	_____	IP Threaded	2 5/8 [67]
4 [100]	_____	IP Threaded	2 7/8 [73]
2 thru 4 [50 thru 100]	_____	NH No-Hub	3 7/8 [98]
2 thru 4 [50 thru 100]	_____	NL Neo-Loc	4 5/8 [117]

PREFIXES

- _____ ZB D.C.C.I. Body Assembly w/Polished Bronze Top
- _____ ZN D.C.C.I. Body Assembly w/Polished Nickel Bronze Top*

SUFFIXES

- _____ -AR Acid Resisting Epoxy Coated Cast Iron
- _____ -G Galvanized Cast Iron
- _____ -LC (Less) Chain
- _____ -P Trap Primer Connection (Specify 1/2 [13] or 3/4 [19])
- _____ -U 1 - 3 [25 - 76] High Extension Adapter

REV. A	DATE: 6/24/04	C.N. NO. 92314
DWG. NO. P-14965 PRODUCT NO. Z415P-76		

*REGULARLY FURNISHED UNLESS OTHERWISE SPECIFIED