



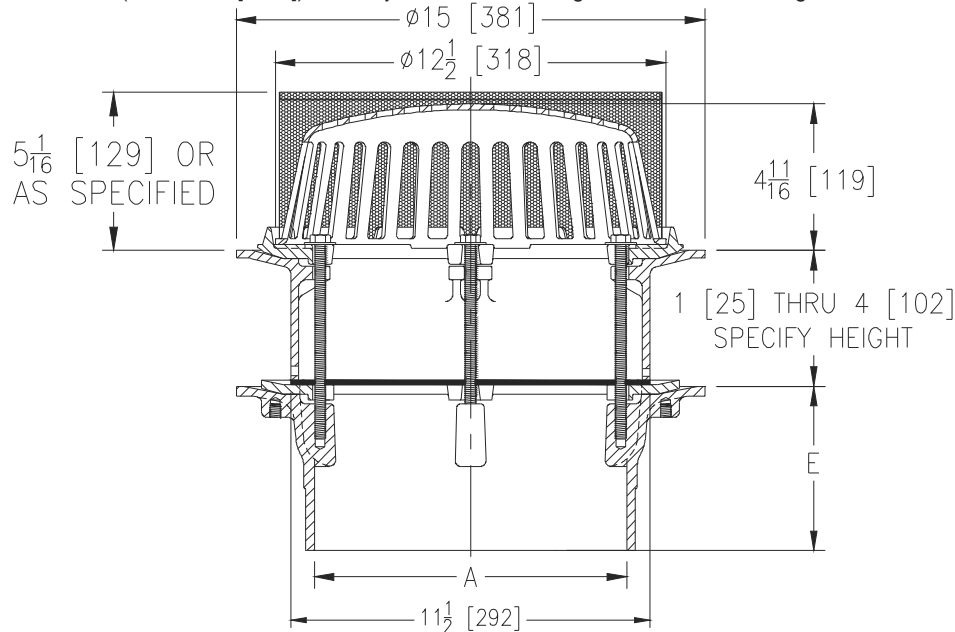
Z100-332

Ø15 [381] OVERFLOW DRAIN W/ LOW SILHOUETTE DOME AND 10 [254] OUTLET

SPECIFICATION SHEET

TAG _____

Dimensional Data (inches and [mm]) are Subject to Manufacturing Tolerances and Change Without Notice



A Pipe Size In.	Approx. Wt. Lbs. [kg]	Dome Open Area Sq. In. [cm ²]
10 [254]	30 [14]	103 [665]

ENGINEERING SPECIFICATION: ZURN Z100-332

15 [381] Diameter overflow drain. Dura-Coated cast iron body with combination membrane flashing clamp/gravel guard and low silhouette Poly-Dome. For use as overflow drain only. Please note: dome open area does not conform to ASME Z112.6.4.31

OPTIONS (Check/specify appropriate options)

PIPE SIZE

- 10 [254]
- 10 [254]
- 10 [254]

(Specify type) OUTLET

- _____ IC Inside Caulk
- _____ IP Threaded
- _____ NH No-Hub

E BODY HT. DIM.

- 5 1/4 [133]
- 3 3/4 [95]
- 5 1/4 [133]

PREFIXES

- _____ Z D.C.C.I. Body with Poly-Dome*
- _____ ZA D.C.C.I. Body with Aluminum Dome
- _____ ZC D.C.C.I. Body with Cast Iron Dome
- _____ ZRB D.C.C.I. Body with Plain Bronze Dome

SUFFIXES

- | | |
|---|--|
| _____ -AC Angular Underdeck Clamp | _____ -R Roof Sump Receiver |
| _____ -AR Acid Resistant Epoxy Coated | _____ -VP Vandal-Proof Secured Top |
| _____ -C Underdeck Clamp | _____ -W2 2 [51] Internal Water Dam |
| _____ -DE Deck Extension | _____ -85 Stainless Steel Perforated Extension |
| _____ -DP Top-Set® Deck Plate (Replaces both the -C and -R) | _____ -89 2 [51] High External Water Dam |
| _____ -DR Top-Set® Drain Riser | |
| _____ -DX Dex-o-tex Flange | |
| _____ -EA Adjustable Extension Assembly
2 1/8 [54] thru 3 1/2 [89] | |
| _____ -EB Top-Set® Adjustable Extension Assembly | |
| _____ -G Galvanized Cast Iron | |
| _____ -GD Galvanized Cast Iron Dome (ZC Only) | |
| _____ -HD 6 3/4 [171] High Aluminum Dome Strainer | |

* Regularly furnished unless otherwise specified.