



Z624-88

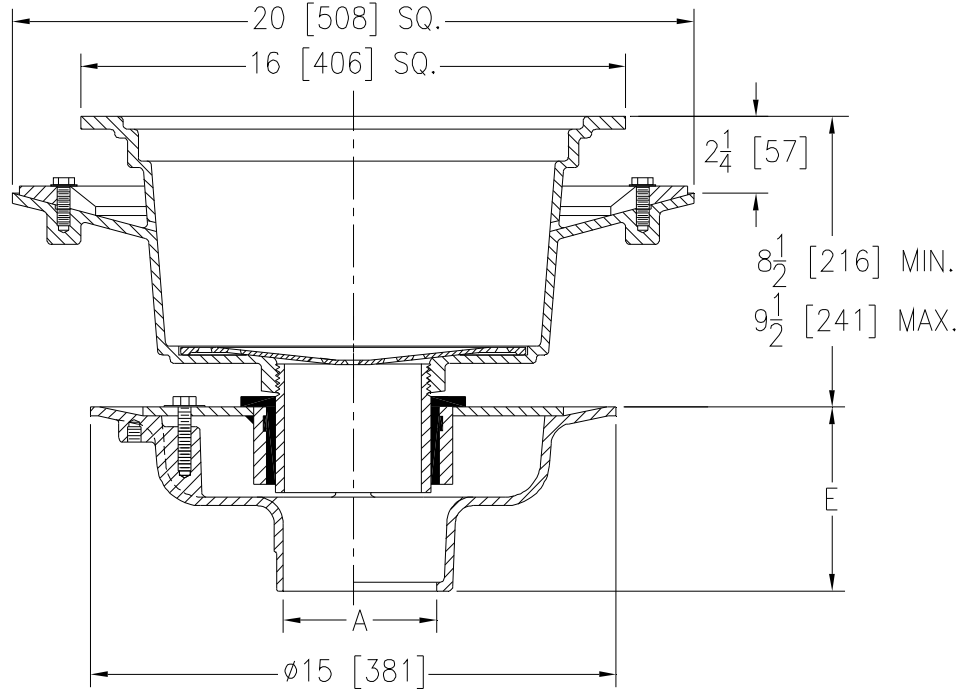
ISOLATION DECK DRAIN

W/16 [406] SQUARE OPEN TOP UPPER DRAIN

SPECIFICATION SHEET

TAG _____

Dimensional Data (inches and [mm]) are Subject to Manufacturing Tolerances and Change Without Notice



A Pipe Size	Approx. Wt. Lbs. [kg]
2, 3, 4 [51, 76, 102]	76 [34]
5, 6 [127, 152]	

ENGINEERING SPECIFICATION: ZURN-Z624-88

Floating slab drain, Dura-Coated cast iron upper and lower bodies, clamp collar, neoprene flex gasket, isolation nipple, and seepage pan with clamp collar on upper drain.

OPTIONS (Check/specify appropriate options)

PIPE SIZE

- 2 thru 6 [51 thru 152]
- 2 thru 4, 6 [51 thru 102, 152]
- 2 thru 6 [51 thru 152]
- 2 thru 6 [51 thru 152]
- 2 thru 4 [51 thru 102]

(Specify size/type) **OUTLET**

- _____ IC Inside Caulk
- _____ IG Inside Caulk w/Sealtrol Gskt.
- _____ IP Threaded
- _____ NH No-Hub
- _____ NL Neo-Loc

'E' BODY HT. DIM.

- 5 1/4 [133]
- 5 1/4 [133]
- 3 3/4 [95]
- 5 1/4 [133]
- 4 5/8 [117]

PREFIXES

- _____ Z D.C.C.I. Body and Top*
- _____ ZB D.C.C.I. Body w/Polished Bronze Top (Add 3/16 [5] to 4 1/4 [108] - 5 1/4 [133] Dim.)
- _____ ZN D.C.C.I. Body w/Polished Nickel Bronze Top (Add 3/16 [5] to 4 1/4 [108] - 5 1/4 [133] Dim.)

SUFFIXES

- _____ -AR Acid Resisting Epoxy Coated Cast Iron
- _____ -BT Bell Trap Bucket (Upper Body)
- _____ -C Underdeck Clamp (Lower Body)
- _____ -G Galvanized Cast Iron
- _____ -GT Top Grate (Open Area 54 sq. in.) (Upper Body)
- _____ -R Sump Receiver (Lower Body)
- _____ -SD Longer Standpipe (Specify Height Required)
- _____ -WS Wide Slotted Grate (Open Area 105 sq. in.) (Upper Body)
- _____ -Y Sediment Bucket (Upper Body)

REV.	DATE: 03/28/08	C.N. NO. 98297
DWG. NO. P-15534		PRODUCT NO. Z624-88

*REGULARLY FURNISHED UNLESS OTHERWISE SPECIFIED