



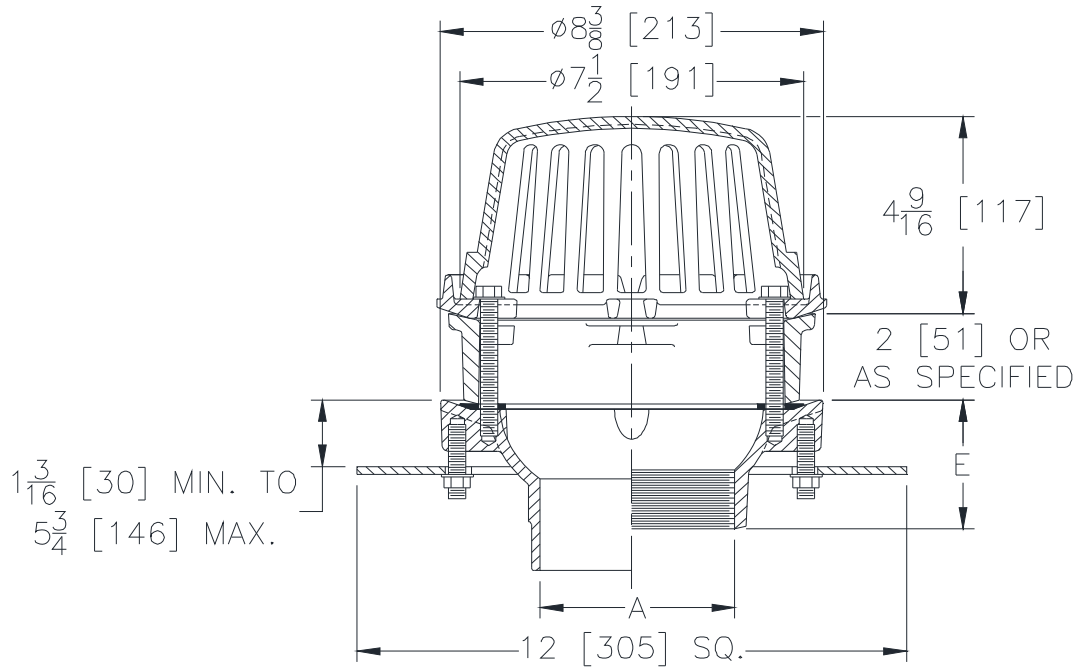
Z125-C-E

8-3/8 [213] DIAMETER ROOF DRAIN W/ STATIC EXTENSION & UNDERDECK CLAMP

SPECIFICATION SHEET

TAG _____

Dimensional Data (inches and [mm]) are Subject to Manufacturing Tolerances and Change Without Notice



A Pipe Size In.[mm]	Approx. Wt. Lbs. [kg]	Dome Open Area Sq. In. [cm ²]
2,3,4 [51,76,102]	17 [8]	43 [277]

ENGINEERING SPECIFICATION: ZURN Z125-C-E

8-3/8" [213mm] Diameter roof drain, Dura-Coated cast iron body with combination membrane flashing clamp/gravel guard, static extension low silhouette Poly-Dome and underdeck clamp.

OPTIONS (Check/specify appropriate options)

PIPE SIZE

2,3,4 [51,76,102]
2 [51]
3 [76]
4 [102]
2,3,4 [51,76,102]
2,3,4 [51,76,102]

(Specify size/type) OUTLET

___ IC Inside Caulk
___ IP Threaded
___ IP Threaded
___ IP Threaded
___ NH No-Hub
___ NL Neo-Loc

'E' BODY HT. DIM.

3-7/8 [98]
2-7/16 [62]
2-3/4 [70]
3 [76]
4 [102]
3-13/16 [97]

PREFIXES

___ Z D.C.C.I. Body with Poly-Dome (4-1/4 [108] Dome Height)*
___ ZA D.C.C.I. Body with Aluminum Dome (4-1/4 [108] Dome Height)
___ ZC D.C.C.I. Body with Low Silhouette Cast Iron Dome (4-1/4 [108] Dome Height)

SUFFIXES

___ -AR Acid Resistant Epoxy Coated Finish	___ -VP Vandal-Proof Secured Top
___ -FG Flush Grate	___ -XJ Vertical Expansion Joint (See Z190)
___ -G Galvanized Cast Iron	___ -84 Stainless Steel Perforated Gravel Guard
___ -R Roof Sump Receiver	___ -85 Stainless Steel Perforated Extension
___ -SC Secondary Clamping Collar	___ -89 2 [51] High External Water Dam
___ -SS Stainless Mesh Screen Over Dome	___ -90 90° Threaded Side Outlet Body
___ -TC Neo-Loc Test Cap Gasket (2,3,4 [51,76,102] NL Bottom Outlet Only)	(2,3,4 [51,76,102])

* Regularly furnished unless otherwise specified.

Zurn Industries, LLC | Specification Drainage Operation
1801 Pittsburgh Avenue, Erie, PA U.S.A. 16502 · Ph. 855-663-9876, Fax 814-454-7929
In Canada | Zurn Industries Limited
3544 Nashua Drive, Mississauga, Ontario L4V 1L2 · Ph. 905-405-8272, Fax 905-405-1292
www.zurn.com

Rev. E
Date: 10/03/2017
C.N. No. 138269
Prod. | Dwg. No. Z125-C-E