



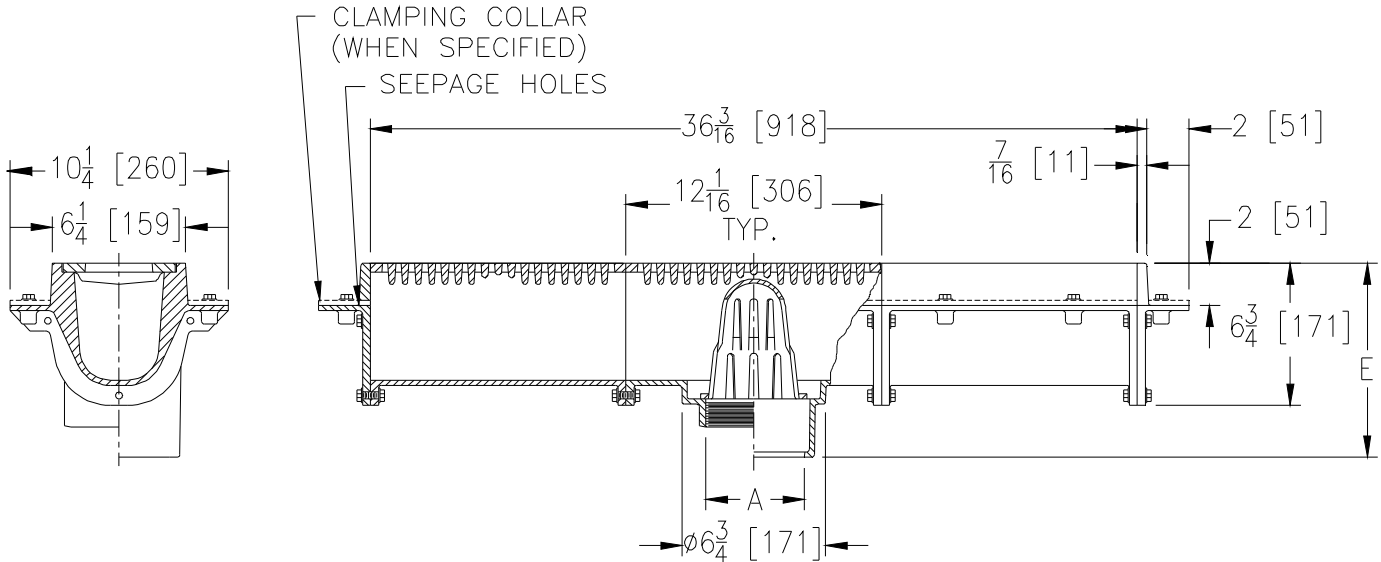
Z664-ES2

6 [152] WIDE MODULAR TRENCH DRAIN
HEAVY-DUTY WITH 2 EXTENSION SECTIONS

SPECIFICATION SHEET

TAG _____

Dimensional Data (inches and [mm]) are Subject to Manufacturing Tolerances and Change Without Notice



A Pipe Size In. [mm]	Approx. Wt. Lbs. [kg]	Grate Open Area Sq. In. [cm ²]
2,3,4 [51,76,102]	135 [61]	42 [270]

ENGINEERING SPECIFICATION: ZURN Z664-ES2

6" [152mm] Wide Top modular trench drain, Dura-Coated cast iron drain section with bottom outlet and secondary dome strainer. Both 12" [305mm] long outlet and extension modules are complete with integral seepage pan and loose heavy-duty slotted heel-proof grate.

OPTIONS (Check/specify appropriate options)

PIPE SIZE

2,3,4 [51,76,102]
2,3,4 [51,76,102]
2,3,4 [51,76,102]
2,3,4 [51,76,102]

(Specify size/type) OUTLET

___ IC Inside Caulk
___ IP Threaded
___ NH No-Hub (IP w/Z1040)
___ NL Neo-Loc

'E' BODY HT. DIM.

9-1/8 [232]
9-1/8 [232]
--
8-3/8 [213]

PREFIXES

___ Z D.C.C.I. Body and Top*
___ ZB D.C.C.I Body w/ Polished Bronze Top (Add 1/8 [3] to 'E' and 2 [51] Dim.)
___ ZN D.C.C.I Body w/ Polished Stainless Steel Top (Add 1/8 [3] to 'E' and 2 [51] Dim.)

SUFFIXES

___ -AR Acid Resisting Epoxy Coated Cast Iron (Per Section)
___ -C Clamp Collar (Per Section)
___ -DG Duresist Grate (Per Section)
___ -G Galvanized Cast Iron (Per Section)
___ -M Side Outlet Adapter Via End Plate
___ -SQ Square Hole Grate
___ -TS Top Secured with Slotted Screws (Per Section)
___ -V Backwater Valve (See Z1099)
___ -VP Vandal-Proof Secured Top (Per Section)
___ -Y Sediment Bucket (Per Outlet Section)

* Regularly furnished unless otherwise specified.