



Z1360-81

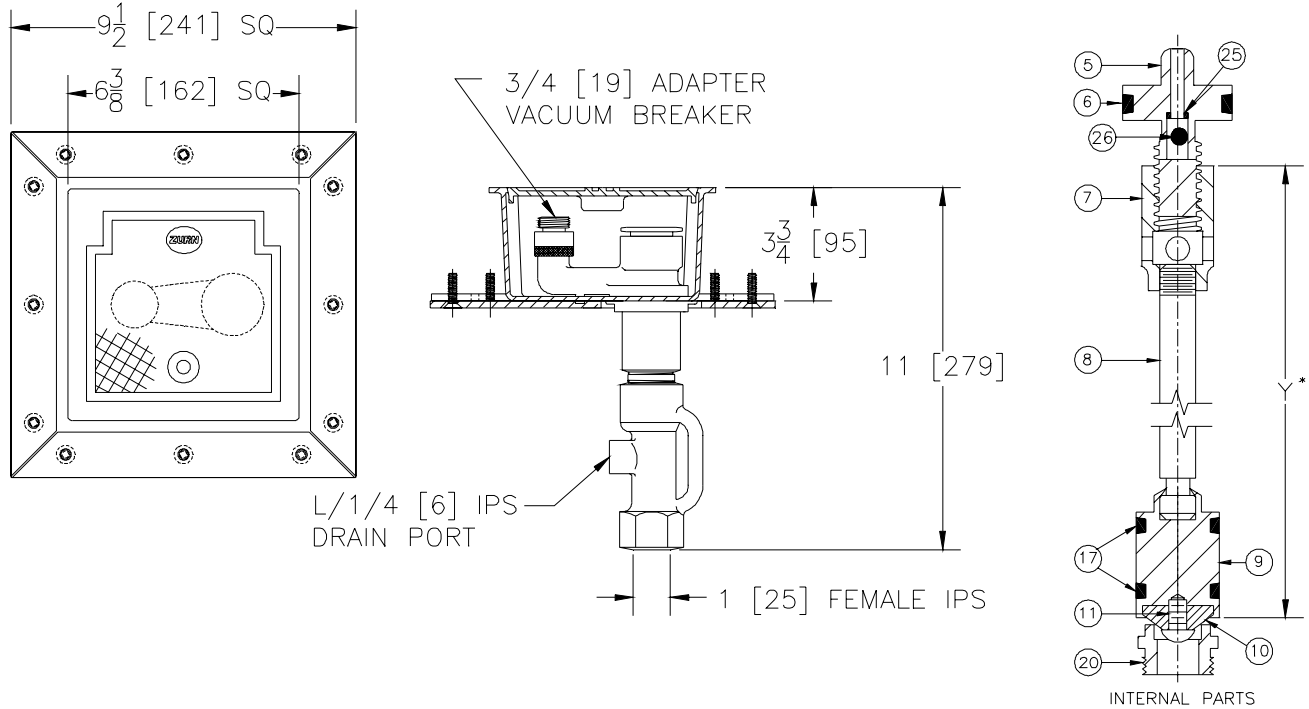
GROUND HYDRANT

Encased, Flush Type, Non-Freeze

SPECIFICATION SHEET

TAG _____

Dimensional Data (inches and [mm]) are Subject to Manufacturing Tolerances and Change Without Notice



Shortest Overall Height	Approx. Wt. Lbs. [kg]
11 [279]	17 [8]

ENGINEERING SPECIFICATION: ZURN Z1360-81

Encased, non-freeze hydrant with flashing flange with clamping collar, for flush with grade or finished (non-traffic) floor installation. Complete with galvanized steel casing, all bronze interior parts, bronze seat and replaceable seat washer, non-turning operating rod with free-floating compression closure valve with 3/4 [19] connection and screw on vacuum breaker. Plain bronze box and scoriated cover with operating key lock.

Note:

- IMPORTANT Hydrant must be opened one turn to seal drain port during use.

OPTIONS (Check/specify appropriate options)

SUFFIXES

- _____ -BC Bronze Casing
- _____ -DP12 1/2 [13] IP Drain Port in Box
- _____ -DP14 1/4 [6] IP Drain Port in Box
- _____ -DP38 3/8 [10] IP Drain Port in Box
- _____ -HD Heavy Duty Cover (-NB only)
- _____ -NB Polished Nickel Bronze Face
- _____ -PB Polished Bronze Face
- _____ -RK Hydrant Parts Repair Kit

PARTS LIST

Item	Name	Quan.
5	Operating Screw	1
6	O-Ring	1
7	Operating Coupling	1
8	Operating Rod	1
9	Washer Guide	1
10	Washer (neoprene)	1
11	Screw	1
17	O-Ring	2
20	Removable Seat	1
25	O-Ring	1
26	Ball	1

REV. A DATE: 05/05/08 C.N. NO. 98443

DWG. NO. P-14678 PRODUCT NO. Z1360-81

* When ordering replacement parts specify Y dim.