



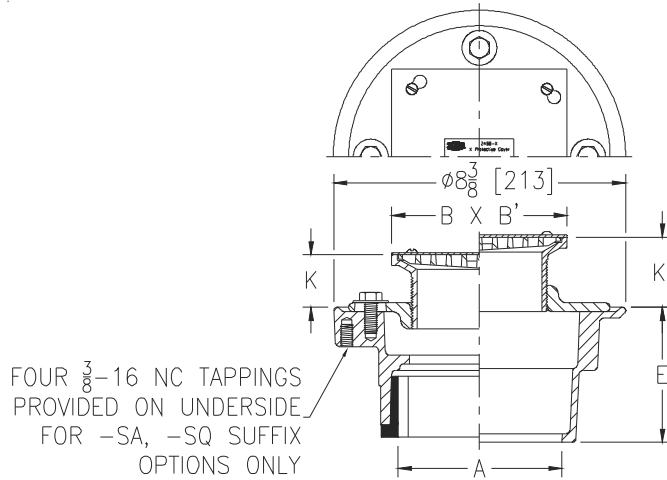
# Z415S-PC

## BODY ASSEMBLY W/ "TYPE S" STRAINER & PROTECTIVE COVER

SPECIFICATION SHEET

TAG \_\_\_\_\_

Dimensional Data (inches and [ mm ]) are Subject to Manufacturing Tolerances and Change Without Notice



| Dimensions in In [mm] |                          |             |              |              |              | Approx. Wt. Lbs. [kg] | Strainer Open Area Sq. In. [cm <sup>2</sup> ] |
|-----------------------|--------------------------|-------------|--------------|--------------|--------------|-----------------------|---|
| A - Pipe Size         | B x B' Strainer Top Size | K           |              | K'           |              |                       |   |
|                       |                          | Min.        | Max.         | Min.         | Max.         |                       |   |
| 2,3 [51,76]           | 5 x 5 [127 x 127]        | 1 [25]      | 1-19/32 [40] | 1-1/4 [32]   | 2-3/8 [60]   | 12 [5]                | 9 [58]  |
| 2,3,4 [51,76,102]     | 6 x 6 [152 x 152]        | 1 [25]      | 1-27/32 [47] | 1-13/32 [36] | 2-19/32 [66] | 13 [6]                | 13 [84]                                       |
| 2,3,4 [51,76,102]     | 7 x 7 [178 x 178]        | 1 [25]      | 1-7/8 [48]   | 1-3/8 [35]   | 2-5/8 [67]   | 14 [6]                | 21 [135]                                      |
| 3,4 [76,102]          | 8 x 8 [203 x 203]        | 1-3/32 [28] | 1-7/8 [48]   | 1-3/4 [44]   | 2-5/8 [67]   | 15 [7]                | 28 [181]                                      |
| 6 [152]               | 10 x 10 [254 x 254]      | 1-3/32 [28] | 1-7/8 [48]   | 1-3/4 [44]   | 2-5/8 [67]   | 21 [10]               | 28 [181]                                      |

### ENGINEERING SPECIFICATION: ZURNZN415S-PC

Floor and shower drain, Dura-Coated cast iron body with bottom outlet, combination invertible membrane clamp and adjustable collar with seepage slots and "TYPE S" polished nickel bronze square heel-proof strainer with protective cover.

### OPTIONS (Check/specify appropriate options)

#### PIPE SIZE

2,3,4 [51,76,102]  
 2,3,4 [51,76,102]  
 2 [51]  
 3 [76]  
 4 [102]  
 6 [152]  
 2,3,4 [51,76,102]  
 2,3,4 [51,76,102]

#### (Specify size/type) OUTLET

\_\_\_\_\_ IC Inside Caulk  
 \_\_\_\_\_ IG Inside Gasket  
 \_\_\_\_\_ IP Threaded  
 \_\_\_\_\_ IP Threaded  
 \_\_\_\_\_ IP Threaded  
 \_\_\_\_\_ IP Threaded  
 \_\_\_\_\_ NH No-Hub  
 \_\_\_\_\_ NL Neo-Loc

#### 'E' BODY HT. DIM.

4-3/16 [106]  
 4-3/16 [106]  
 2-7/16 [62]  
 2-3/4 [70]  
 2-13/16 [71]  
 2-7/8 [73]  
 3-13/16 [97]  
 3-7/8 [98]

### PREFIXES

\_\_\_\_\_ ZB D.C.C.I. Body Assembly w/ Polished Bronze Top  
 \_\_\_\_\_ ZN D.C.C.I. Body Assembly w/ Polished Nickel Bronze Top\*

### SUFFIXES

\_\_\_\_\_ -AR Acid Resisting Epoxy Coated Cast Iron  
 \_\_\_\_\_ -CP Chrome-Plated Top  
 \_\_\_\_\_ -G Galvanized Cast Iron  
 \_\_\_\_\_ -HD Heavy-Duty Grate (ZN 6 x 6 [152 x 152] Only)  
 \_\_\_\_\_ -P Trap Primer Connection (Specify 1/2 [13] or 3/4 [19])  
 \_\_\_\_\_ -SA Stabilizer Assembly (See Z1035)  
 \_\_\_\_\_ -SQ Stabilizer Q-Deck (See Z1035-Q)  
 \_\_\_\_\_ -TC Neo-Loc Test Cap Gasket (2,3,4 [51,76,102] NL Outlet Only)  
 \_\_\_\_\_ -U 1-3 [25-76] High Extension Adapter  
 \_\_\_\_\_ -V Backwater Valve  
 \_\_\_\_\_ -VP Vandal-Proof Secured Top  
 \_\_\_\_\_ -Y Sediment Bucket  
 \_\_\_\_\_ -90 90° Threaded Side Outlet Body Assembly (2,3 [51,76] Only)

\* Regularly furnished unless otherwise specified.