



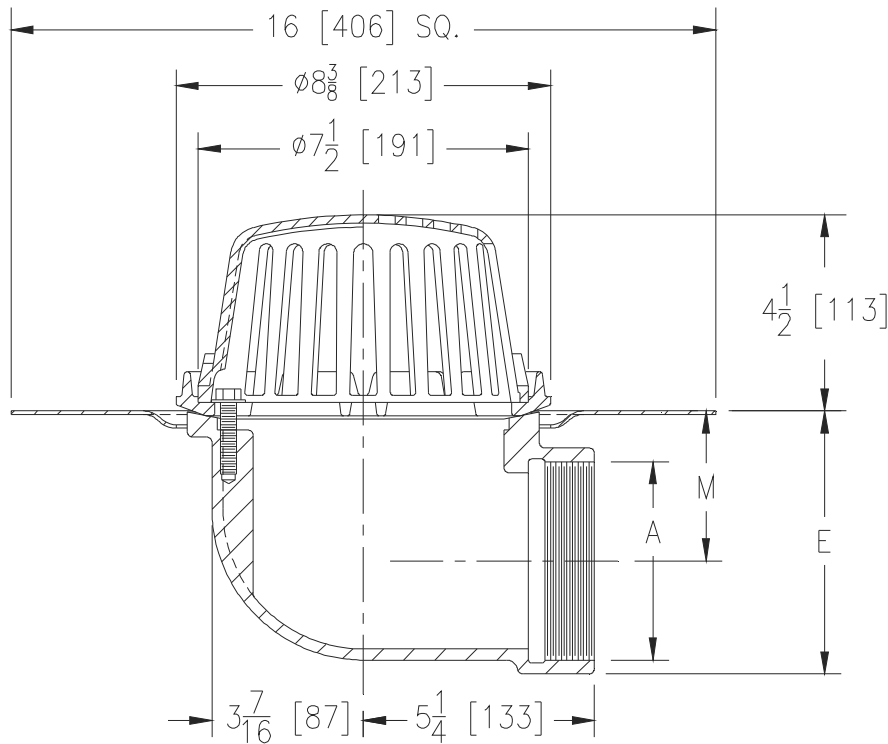
Z125-R-90

8-3/8 [213] DIAMETER LATERAL ROOF DRAIN W/
ROOF SUMP RECEIVER

SPECIFICATION SHEET

TAG _____

Dimensional Data (inches and [mm]) are Subject to Manufacturing Tolerances and Change Without Notice



| Dimensions Inches[mm] | | Approx. Wt. Lbs. [kg] | Dome Open Area Sq. In [sq. cm] |
|-----------------------|--------------|-----------------------|--------------------------------|
| A Pipe Size | M | | |
| 2 [51] | 4-7/16 [113] | 35 [16] | 43 [277] |
| 3 [76] | 3-7/8 [98] | | |
| 4 [102] | 3-3/8 [86] | | |

ENGINEERING SPECIFICATION: ZURN Z125-R-90
8-3/8" [213mm] Diameter lateral roof drain, Dura-Coated cast iron body with combination membrane flashing clamp/gravel guard and low silhouette Poly-Dome and roof sump receiver.

OPTIONS (Check/specify appropriate options)

PIPE SIZE

2,3,4 [51,76,102]

(Specify size) **OUTLET**

_____ IP Threaded

E BODY HT. DIM.

5-15/16 [151]

PREFIXES

- _____ Z D.C.C.I. Body with Poly-Dome* (4-1/4 [108] Dome Height)
- _____ ZA D.C.C.I. Body with Aluminum Dome (4-1/4 [108] Dome Height)
- _____ ZC D.C.C.I. Body with Cast Iron Dome (4-1/4 [108] Dome Height)

SUFFIXES

- _____ -AR Acid Resisting Epoxy Coated
- _____ -C Underdeck Clamp
- _____ -E 2 [51] High Static Extension
- _____ -FG Flush Grate
- _____ -G Galvanized Cast Iron
- _____ -SC Secondary Clamp Collar
- _____ -SS Stainless Mesh Screen Over Dome
- _____ -VP Vandal-Proof Secured Dome
- _____ -84 Stainless Steel Perforated Gravel Guard
- _____ -85 Stainless Steel Perforated Extension
- _____ -89 2 [51] High External Water Dam

* Regularly furnished unless otherwise specified.