



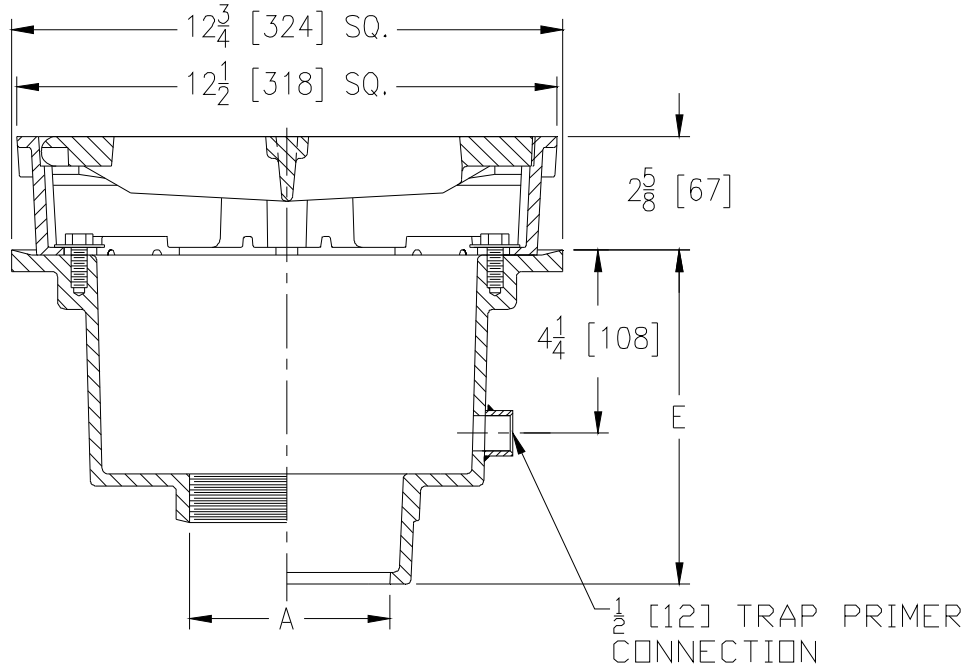
Z512-82

12 [305] HEAVY-DUTY DRAIN W/ SQUARE TOP,
DUCTILE IRON GRATE & TRAP PRIMER

SPECIFICATION SHEET

TAG _____

Dimensional Data (inches and [mm]) are Subject to Manufacturing Tolerances and Change Without Notice



A Pipe Size In.[mm]	Approx. Wt. Lbs. [kg]	Grate Open Area Sq. In. [cm ²]
3,4 [76,102]	44 [20]	42 [271]

ENGINEERING SPECIFICATION: ZURN Z512-82

12" [305mm] Square top heavy-duty drain, Dura-Coated cast iron deep sump body with bottom outlet, seepage pan and combination flashing clamp with square frame, ductile iron grate and trap primer connection in body.

OPTIONS (Check/specify appropriate options)

PIPE SIZE

- 3,4 [76,102]
- 3,4 [76,102]
- 3 [76]
- 4 [102]
- 3,4 [76,102]

(Specify size/type) **OUTLET**

- _____ IC Inside Caulk
- _____ IG Inside Caulk w/Sealtrol Gskt.
- _____ IP Threaded
- _____ IP Threaded
- _____ NL Neo-Loc

'E' BODY HT. DIM.

- 7-3/4 [197]
- 7-3/4 [197]
- 6 [152]
- 6-1/4 [159]
- 7-1/4 [184]

PREFIXES

- _____ Z D.C.C.I. Body and Top*
- _____ ZB D.C.C.I. Body with Polished Bronze Top (Add 3/16 [5] to 2-5/8 [66] Dim.)
- _____ ZN D.C.C.I. Body with Polished Nickel Bronze Top (Add 3/16 [5] to 2-5/8 [66] Dim.)

SUFFIXES

- _____ -AR Acid Resisting Epoxy Coating Cast Iron
- _____ -G Galvanized Cast Iron
- _____ -S Secondary Strainer
- _____ -SS Stainless Mesh Liner for Bucket
- _____ -TC Neo-Loc Test Cap Gasket (3 [76], 4 [102] NL Bottom Outlet Only)
- _____ -TS Top Secured with Slotted Screws
- _____ -V Backwater Valve (4[102] IC & IP Only)
- _____ -VP Vandal-Proof Secured Top
- _____ -Y Sediment Bucket

* Regularly furnished unless otherwise specified.