



Z886-HD-SW2

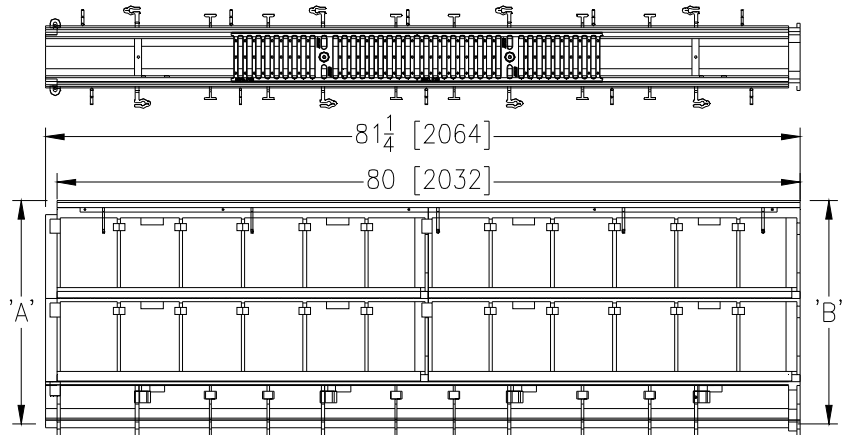
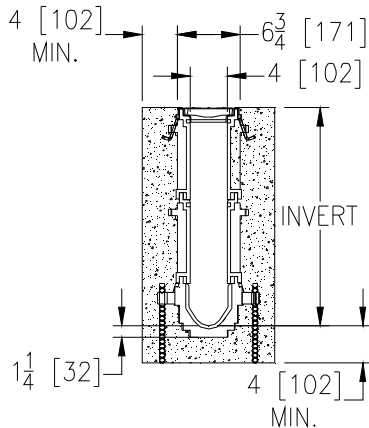
SPECIFICATION SHEET

6-3/4 [171] WIDE REVEAL TRENCH DRAIN SYSTEM W/ HEAVY-DUTY FRAME AND TWO 9 [229] SIDEWALL EXTENSIONS

TAG _____

Dimensional Data (inches and [mm]) are Subject to Manufacturing Tolerances and Change Without Notice

SPECIFYING ENGINEER IS RESPONSIBLE FOR
CONCRETE ENCASEMENT AND REINFORCING
BASED UPON APPLICATION AND LOCAL CODES



NOTE: + Actual Channel length is 81 1/4 [2064] to allow for overlap.

ENGINEERING SPECIFICATION: Zum Z886-HD-SW2

Channels shall be 80 [2032] long, 6-3/4 [171] wide reveal and have a 4 [102] throat. Modular channel sections shall be made of 0% water absorbent High Density Polyethylene (HDPE). Shall have a positive mechanical connection between channel sections that will not separate during the installation and shall mechanically lock into the concrete surround every 10 [254]. Channels shall weigh less than 2.31 lbs.[1.05kg] per linear foot, have a smooth, 1-1/2 [38] radiused self cleaning bottom with a Manning's coefficient of 0.009 and 0.75% or neutral 0% built in slope. Channels shall have rebar clips standard to secure trench in its final location. Channels shall have HDPE SW Side Walls attached for an additional 18 [457] added to the standard channel invert for additional flow capability shown in chart below. Shall be provided with standard DGC grates that lock down to frame. Zum 12 [305] wide reveal Ductile Iron Slotted Grate conforming to ASTM specification A536-84, Grade 80-55-06. Ductile Iron grate is rated class C per the DIN EN1433 top load classifications. Supplied in 20 [508] nominal lengths with 1/2 [13] wide slots, and 3/4 [19] bearing depth. Grate has an open area of 28.1 sq. in. per ft. [60,308 sq. mm per meter]. The 0.105 [2.66] thick Heavy-Duty Carbon Steel Frame Assembly conforms to ASTM specification A36 with 10 - 4 [102] long concrete anchors per 80 [2032]. Grate lockdown bars are to be integral to the frame The frame is supplied with a powder coated finish. All welds must be performed by a certified welder per ASTM standard AWS D1.1. Frames Shall be produced in the U.S.A.

PREFIX OPTIONS (Check/specify appropriate options)

___ Z Six-foot, Eight-inch High Density Polyethylene (HDPE)*

SUFFIX OPTIONS (Check/specify appropriate options)

Outlet Adapters Add/Each

- | | | | |
|---------|---------------------------|---------|------------------------------|
| ___ -E1 | Closed End Cap | ___ -U2 | 2 [51] No-Hub Bottom Outlet |
| ___ -E2 | 2 [51] No-Hub End Outlet | ___ -U3 | 3 [76] No-Hub Bottom Outlet |
| ___ -E3 | 3 [76] No-Hub End Outlet | ___ -U4 | 4 [102] No-Hub Bottom Outlet |
| ___ -E4 | 4 [102] No-Hub End Outlet | ___ -U6 | 6 [152] No-Hub Bottom Outlet |
| ___ -E6 | 6 [152] No-Hub End Outlet | | |

Frame Options

- ___ -CBF Black Acid Resistant Coated Top Frame
- ___ -LD Light Duty Grates on Heavy Duty Frame

Grate Options (Load Classifications are per DIN EN1433)

- ___ -BDC Black Acid Resistant Epoxy Coated Ductile Grate - Class C
- ___ -BDE Black Acid Resistant Epoxy Coated Ductile Grate - Class E
- ___ -BG Galvanized Ductile Iron Bar Grate - Class C
- ___ -DBG Ductile Iron Cast Bar Grate - Class C
- ___ -DC Ductile Iron Solid Cover - Class C
- ___ -DGC Ductile Iron Slotted Grate - Class C *
- ___ -DGE Ductile Iron Slotted Grate - Class E
- ___ -GDC Galvanized Ductile Slotted Grate - Class C
- ___ -GDE Galvanized Ductile Slotted Grate - Class E
- ___ -GHPD Galvanized Heel-Proof Ductile Grate - Class B
- ___ -GHPDE Galvanized Heel-Proof Ductile Grate - Class E
- ___ -HPD Heel-Proof Ductile Slotted Grate - Class B
- ___ -HPDE Heel-Proof Ductile Slotted Grate - Class E
- ___ -RFGC Reinforced Slotted Galvanized Grate - Class C
- ___ -RFSC Reinforced Slotted Stainless Steel Grate - Class C
- ___ -RPGC Reinforced Perforated Galvanized Grate - Class C
- ___ -RPGRC Reinforced Perforated Galvanized Reverse Punch Grate - Class C
- ___ -RPSC Reinforced Perforated Stainless Steel Grate - Class C
- ___ -RPSRC Reinforced Perforated Stainless Steel Reverse Punch Grate - Class C

Miscellaneous Options

- ___ -VP Vandal-Proof Lockdown
- ___ -JC Joint Connector

Decorative Grate Options (Load Classifications are per DIN EN1433)

- ___ -SBG Stainless Steel Bar Grate - Class E

*REGULARLY FURNISHED UNLESS OTHERWISE SPECIFIED

Trench No.	'A' Shallow Inv.	'B' Deep Inv.	Flow		
			(cfs)	(gpm)	(lps)
8601SW2	21.50 [546]	22.10 [561]	2.33	1045	66
8602SW2	22.10 [561]	22.70 [577]	2.40	1078	68
8603SW2	22.70 [577]	23.30 [592]	2.47	1110	70
8603NSW2	23.30 [592]	23.30 [592]	-	-	-
8604SW2	23.30 [592]	23.90 [607]	2.55	1142	72
8605SW2	23.90 [607]	24.50 [622]	2.62	1175	74
8606SW2	24.50 [622]	25.10 [638]	2.69	1207	76
8606NSW2	25.10 [638]	25.10 [638]	-	-	-
8607SW2	25.10 [638]	25.70 [653]	2.76	1239	78
8608SW2	25.70 [653]	26.30 [668]	2.83	1272	80
8609SW2	26.30 [668]	26.90 [683]	2.91	1304	82
8610SW2	26.90 [683]	27.50 [699]	2.98	1336	84
8611SW2	27.50 [699]	28.10 [714]	3.05	1369	86
8612SW2	28.10 [714]	28.70 [729]	3.12	1401	88
8612NSW2	28.70 [729]	28.70 [729]	-	-	-
8613SW2	28.70 [729]	29.30 [744]	3.19	1433	90
8614SW2	29.30 [744]	29.90 [759]	3.27	1466	92
8615SW2	29.90 [759]	30.50 [775]	3.34	1498	94

MADE IN THE U.S.A. (Load Classifications are per DIN EN1433)

- ___ -BDE-USA Black Acid Resistant Epoxy Coated Ductile Grate - Class E
- ___ -DGC-USA Ductile Iron Slotted Grate - Class C (Substitute DGE-USA)
- ___ -DGE-USA Ductile Iron Slotted Grate - Class E
- ___ -GDC-USA Galvanized Ductile Slotted Grate - Class C
- ___ -GDE-USA Galvanized Ductile Slotted Grate - Class E
- ___ -GHPDE-USA Galvanized Heel-Proof Ductile Grate - Class E
- ___ -HPDE-USA Heel-Proof Ductile Slotted Grate - Class E
- ___ -PPC Plastic Perforated Grate - Class C

USA Miscellaneous Options

- ___ -DB Bottom Dome Strainer

REV. D	DATE: 02/11/13	C.N. NO. 124326
DWG. NO. 302002	PRODUCT NO. Z886-HD-SW2	

ZURN INDUSTRIES, LLC ♦ SPECIFICATION DRAINAGE OPERATION ♦ 1801 Pittsburgh Ave. ♦ Erie, PA 16514

Phone: 814455-0921 ♦ Fax: 814454-7929 ♦ World Wide Web: www.zurn.com

In Canada: ZURN INDUSTRIES LIMITED ♦ 3544 Nashua Drive ♦ Mississauga, Ontario L4V1L2 ♦ Phone: 905405-8272 Fax: 905405-1292