



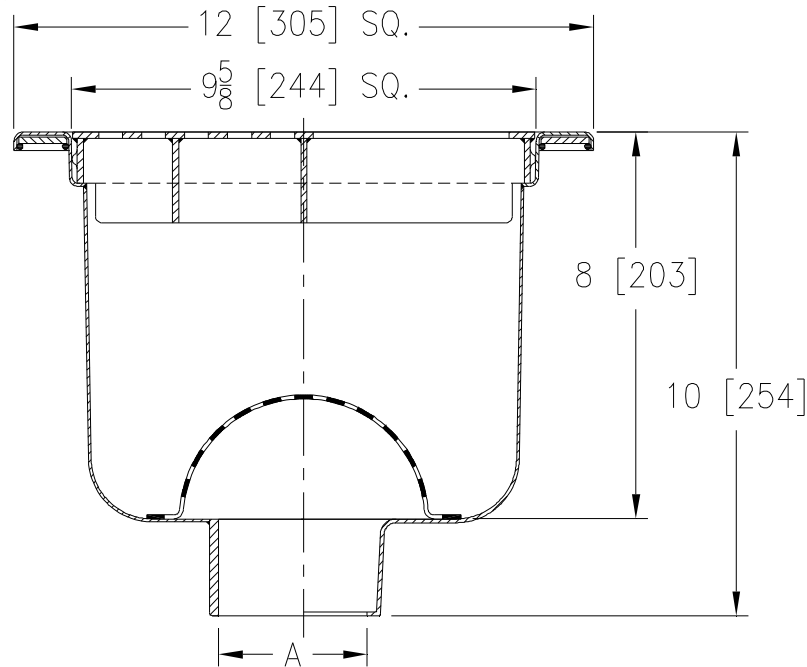
Z1751-HD-2

12 x 12 x 8 [305 x 305 x 203] SANI-FLOR RECEPTOR
W/EXTRA HEAVY-DUTY 1/2 GRATE

SPECIFICATION SHEET

TAG _____

Dimensional Data (inches and [mm]) are Subject to Manufacturing Tolerances and Change Without Notice



A Pipe Size In. [mm]	Approx. Wt. Lbs. [kg]	Grate Open Area Sq. In. [cm ²]
2,3,4 [51,76,102]	19 [9]	46 [297]
6 [152]	21 [9]	46 [297]

ENGINEERING SPECIFICATION: ZURN Z1751-HD-2

12" x 12" x 8" [305mm x 305mm x 203mm] Deep, 16 gage, all Type 304 (CF8) stainless steel light-duty Sani-Flor receptor with non-tilt, loose set extra heavy-duty 1/2 grate with 1/2" [13mm] square openings and anti-splash interior dome strainer.

OPTIONS (Check/specify appropriate options)

PIPE SIZE

- 3,4 [76,102]
- 2,3,4,6 [51,76,102,152]
- 2,3,4 [51,76,102]

(Specify size/type) **OUTLET**

- ___ IC Inside Caulk
- ___ NH No-Hub
- ___ NL Neo-Loc

'E' BODY HT. DIM.

- 10-9/16 [268]
- 10-1/16 [256]
- 9-13/16 [249]

PREFIXES

- ___ Z Type 304 (CF8) Stainless Steel Body*
- ___ ZM Type 316 (CF8M) Stainless Steel

SUFFIXES

- ___ -DX Dex-o-tex Flange
- ___ -K Anchor Flange w/ Seepage Holes
- ___ -KC Anchor Flange w/ Seepage Holes and Clamp Collar
- ___ -P 1/2 [13] Trap Primer Connection
- ___ -TC Neo-Loc Test Cap Gasket (2,3,4 [51,76,102] NL Bottom Outlet Only)
- ___ -Y Sediment Bucket
- ___ -YS Suspended Sediment Bucket

* Regularly furnished unless otherwise specified.