



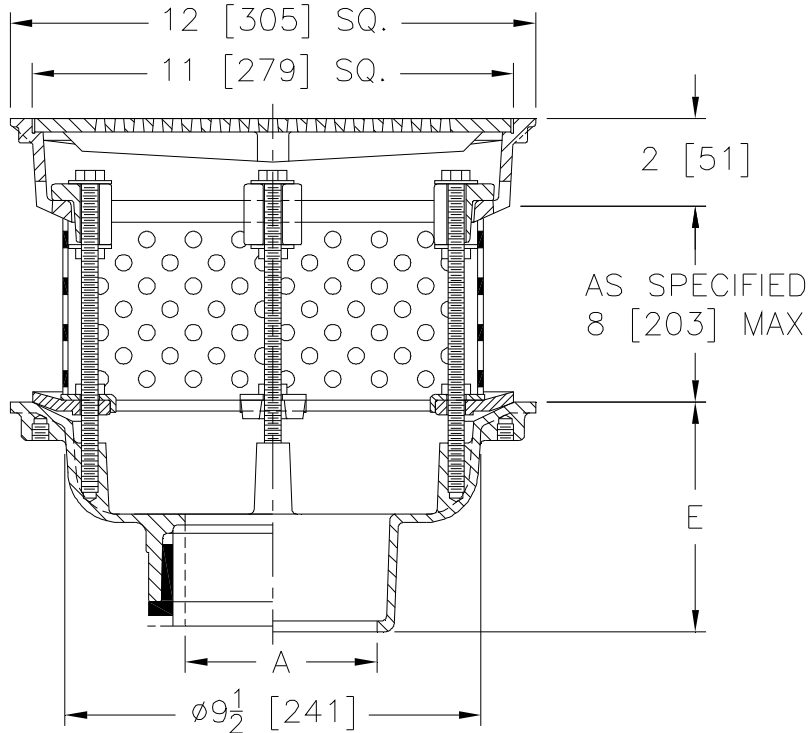
Z154-96

SPECIFICATION SHEET

**12 [305] SQUARE TOP PROM-DECK DRAIN
W/ PERFORATED EXTENSION & HEEL-PROOF GRATE**

TAG _____

Dimensional Data (inches and [mm]) are Subject to Manufacturing Tolerances and Changes Without Notice



A- Pipe Size In.	Approx. Wt. Lbs. [kg]	Grate Open Area Sq. In. [cm ²]
2 thru 6 [51 thru 152]	31[14]	34 [219]

ENGINEERING SPECIFICATION: ZURN Z154-96
12 [305] Square Top Prom-Deck drain, Dura-Coated cast iron body with rotatable square promenade frame, frame clamps, perforated stainless steel extension and light duty heel-proof grate.

OPTIONS (Check/specify appropriate options)

PIPE SIZE

- 2 thru 6 [51 thru 152]
- 2 thru 6 [51 thru 152]
- 2 thru 6 [51 thru 152]
- 2 thru 4 [51 thru 102]

(Specify size/type) **OUTLET**

- ___ IC Inside Caulk
- ___ IP Threaded
- ___ NH No-Hub
- ___ NL Neo-Loc

'E' BODY HT. DIM.

- 5 1/4 [133]
- 3 3/4 [95]
- 5 1/4 [133]
- 4 5/8 [117]

PREFIXES

- ___ Z D.C.C.I. Body with Top*
- ___ ZB D.C.C.I. Body with Polished Bronze Top
- ___ ZN D.C.C.I. Body with Polished Nickel Bronze Top

SUFFIXES

- ___ -AR Acid Resistant Epoxy Coated
- ___ -C Underdeck Clamp
- ___ -DG Duresist Grate (Z Only)
- ___ -DP Top-Set® Roof Deck Plate (Replaces Both the -C and -R)
- ___ -DT Decorative Polished Top (ZB and ZN Only)
- ___ -G Galvanized Cast Iron
- ___ -R Roof Sump Receiver
- ___ -S Secondary Strainer
- ___ -SC Secondary Clamp Collar
- ___ -TC Neo-Loc Test Cap Gasket (2 [51] - 4 [102] NL Bottom Outlet Only)
- ___ -TS Top Secured with Slotted Screws
- ___ -VP Vandal-Proof Secured Top
- ___ -XJ Vertical Expansion Joint (See Z190)
- ___ -Y Sediment Bucket
- ___ -90 90° Threaded Side Outlet Body (2 [51] thru 4 [102])

*REGULARLY FURNISHED UNLESS OTHERWISE SPECIFIED

REV.	DATE: 3/11/08	C.N. NO. 98223
DWG. NO. P-15526 PRODUCT NO. Z154-96		