



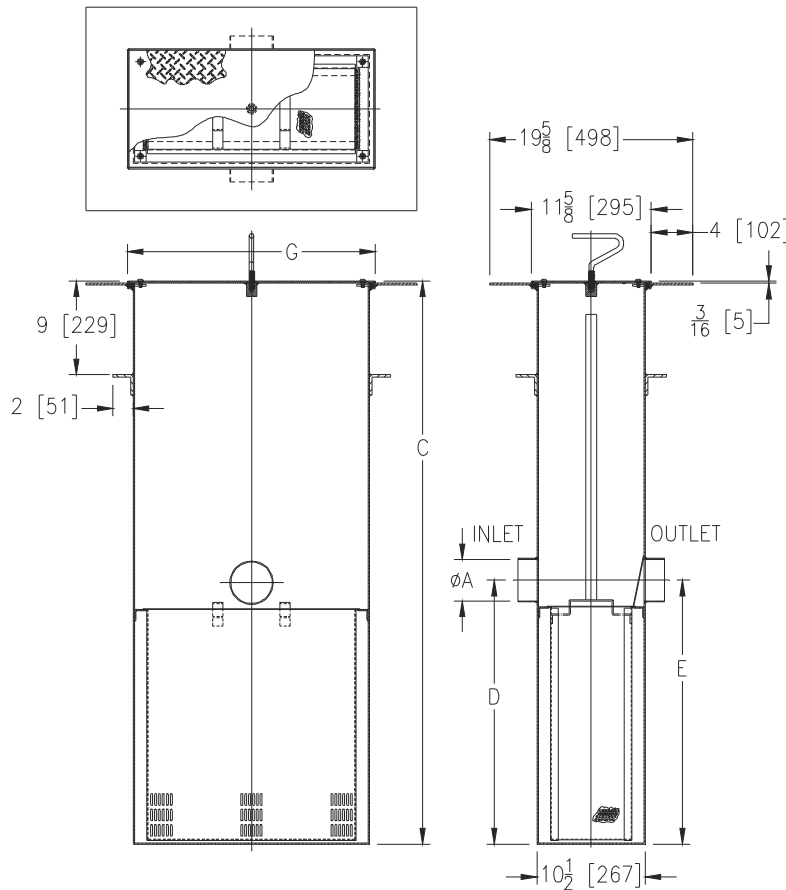
Z1183-FC-92

SOLIDS INTERCEPTOR WITH INTEGRAL EXTENSION,
STAINLESS STEEL FLUSH COVER, STAINLESS STEEL
SEDIMENT BASKET, ANCHOR FLANGE & DEX-O-TEX
FLANGE

SPECIFICATION SHEET

TAG _____

Dimensional Data (inches and [mm]) are Subject to Manufacturing Tolerances and Change Without Notice



Size	'A' Inlet/Outlet Size	Flow Rate G.P.M. [L]	Solids Cap. Cubic Ft. [m ³]	Dimensions In Inches [mm]		
				C	G	D/E
1200	4 [102]	150 [568]	2.59 [.073]	54-3/8 [1381]	24-3/8 [619]	25-1/2 [648]

ENGINEERING SPECIFICATION: ZURN Z1183-FC-92

Large capacity acid resistant coated interior and exterior fabricated steel solids interceptor with integral extension, anchor flange and dex-o-tex flange for recessed installation with perforated filter screen, gasketed, non-skid stainless steel secured cover with removable lift handle, and removable stainless steel sediment basket.

OPTIONS (Check/specify appropriate option)

PREFIXES

___ Z Acid Resistant Coated Fabricated Steel*

SUFFIXES

___ -CS Custom Screens (Specify material and perforation size required)
___ -YR Replacement Stainless Steel Bucket Assembly

* Regularly furnished unless otherwise specified.

Zurn Industries, LLC | Specification Drainage Operation
1801 Pittsburgh Avenue, Erie, PA U.S.A. 16502 · Ph. 855-663-9876, Fax 814-454-7929
In Canada | Zurn Industries Limited
3544 Nashua Drive, Mississauga, Ontario L4V 1L2 · Ph. 905-405-8272, Fax 905-405-1292
www.zurn.com

Rev. A
Date: 03/06/2018
C.N. No. 139707
Prod. | Dwg. No. Z1183-FC-92